

PARTS BOOK

LUNDELL

**MODEL 804 - 402
SHREDDERS**



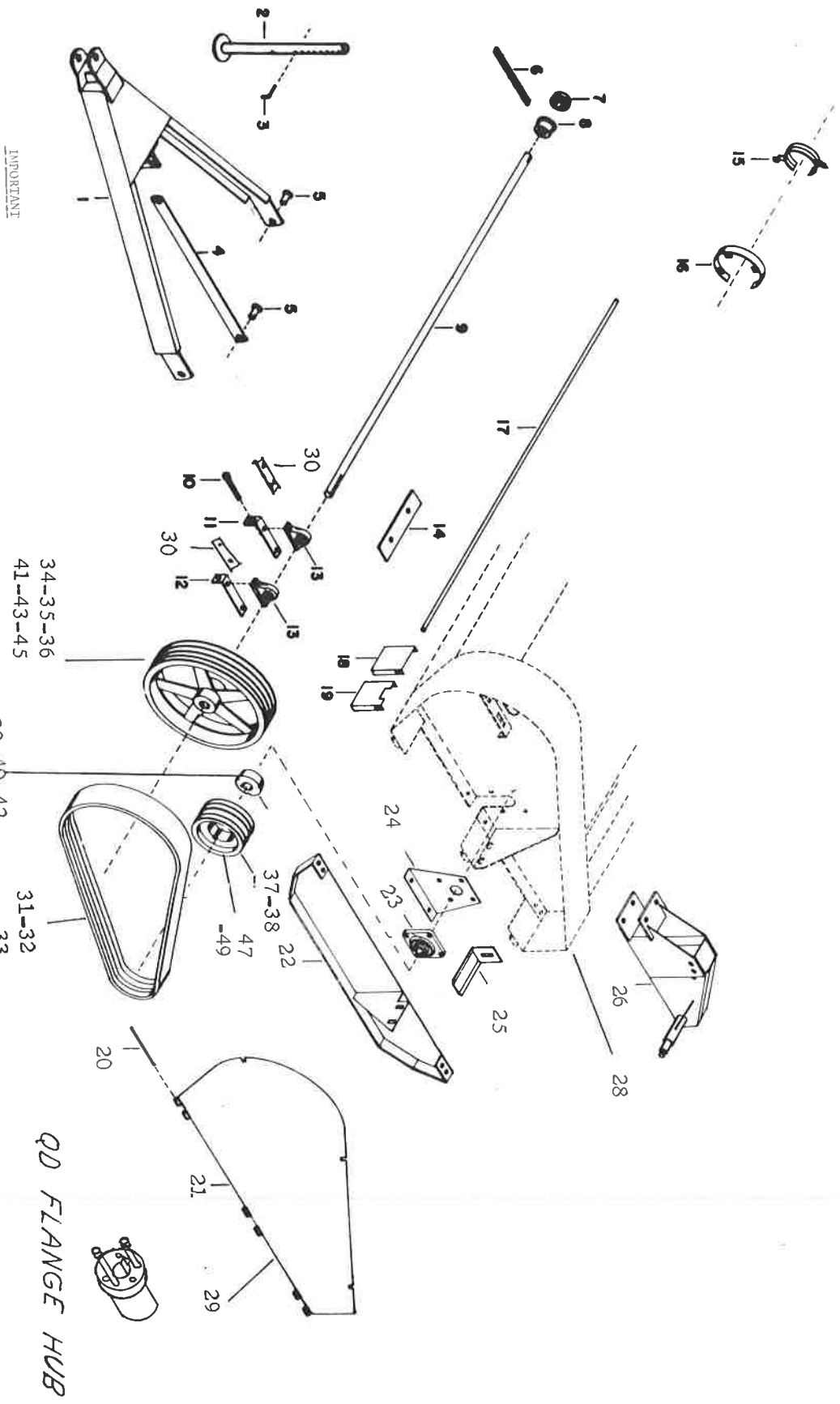
MANUFACTURING COMPANY
(INCORPORATED)

CHEROKEE, IOWA

FRAME-AXLE-HITCH-DRIVE

Ref. No.	Part No.	Name and Description	No. Req.		Ref. No.	Part No.	Name and Description	No. Req.	
			2 row	4 row				2 row	4 row
1	4436L91	Hitch	1	1	31	4494L1	Belt--Power Band 50ORPM	1	2
2	2100L1	Jack Stand	1	1			Use w/ 13.4 & 7.4 sheave combination		
3	2098L1	Pull Pin	1	1			Belt--Power Band 1000RPM	1	2
4	4432L1	Hitch Strap	2	2	32	4977L1	Use w/11.0 & 7.4 Sheave Combination		
5	59-AB-107	Hitch Pin	4	4			Belt--Power Band 1000RPM		
6	2114L1	Chain comp. w/Pin & Link for coupler	1	2	33	5015L1	Use w/12.4 & 9.4 Sheave Combination		
7	2113L1	Chain Coup. Sprocket 1 $\frac{1}{2}$ B	1	2			DODGE TYPE SHEAVES & HUBS		
8	S-152	Chain Coup. Sprocket 1 $\frac{3}{4}$ B	1	2			18.4 sheave (Dodge taper lock) less hub	1	2
*	2125L91	Chain Coupler Link Kit	1	1	34	4487L1	12.4 Sheave (Dodge taper lock) less hub		
9	4424L1	Drive Shaft	1	2			11.0 Sheave (Dodge taper lock) less hub		
*	4876L1	Drive Shaft	1	2			9.4 Sheave (Dodge taper lock) less hub		
10	4576L91	Take-Up Bolt	2	4	35	4976L1	7.4 Sheave (Dodge taper lock) less hub	1	2
11	4497L1	Tightener Strap-Inner	1	2			OC-641		
12	4642L1	Tightener Strap-Outer	1	2	36	5014L1	Hub (Dodge taper lock)	1	2
13	4460L91	Pillow Block Bearing Comp.	2	4	37	4973L1	1 3/4" Bore	1	2
*	4896L1	Pillow Block Case Only	1	1			Hub (Dodge taper lock)	1	2
*	4897L91	Replacement Bearing Only	1	1			1 1/4" Bore	1	2
14	4461L1	Wear Bar	2	4	38	OC-641	7.4 Sheave (Dodge taper lock) less hub	1	2
15	4575L91	Bearing Shield-Inner	1	2	39	OC-638C	Hub (Dodge taper lock)	1	2
16	4574L91	Bearing Shield-Outer	1	2			1 3/4" Bore	1	2
17	4431L1	Hinge Rod	1	2	40	4488L91	Hub (Dodge taper lock)	1	2
18	4402L91	Reg. Flap	10	20			1 1/4" Bore	1	2
19	4401L91	Notched Flap	4	8			QD TYPE SHEAVE & HUBS		
20	4430L1	Hinge Pin	0	6			18.4 Sheave (QD Flange Type) less hub	1	2
21	4647L91	Belt Shield L.H. (Lundell)	1	1	41	5016L1	Hub SF 1 1/4" Bore--Use w/18.4 QD Sheave	1	2
*	4649L1	Belt Shield R.H. (Lundell)	1	1	42	5017L1	12.4 Sheave (QD Flange Type) less hub	1	2
22	4438L91	Skid Shield L.H.	1	1			11.0 Sheave (QD Flange Type) less hub		
*	4443L91	Skid Shield R.H.	1	1	43	5018L1	Hub SK 1 1/4" Bore--Use w/11.0	1	2
23	OC-663	Flange Bearing Complete	2	4			9.4 Sheave (QD Flange Type) less hub		
*	OC-664	Flange Block Only	2	4	45	5019L1	7.4 Sheave (QD Flange Type) less hub		
*	OC-665	Replacement Bearing Only	2	4			11.0 Sheave (QD Flange Type) less hub		
24	4428L1	Bearing Support Plate	2	2	46	5020L1	Hub SK 1 1/4" Bore--Use w/11.0	1	2
25	4496L1	Idler Arm	1	2			9.4 Sheave (QD Flange Type) less hub		
26	4435L91	Axle Ass'y L.H.	1	1	47	5021L1	7.4 Sheave (QD Flange Type) less hub		
*	4434L91	Axle Ass'y R.H.	1	1			7.4 Sheave (QD Flange Type) less hub		
*	4877L1	Cover	1	1	49	5022L1	Hub SK 1 3/4" Bore--Use 9.4 & 7.4 QD Sheave	1	2
28	4425L91	Main Frame	1	1					
29	4973L91	Belt Shield L.H. (N) (I)	1	1	50	5023L1			
*	4974L91	Belt Shield R.H. (N) (I)	1	1					
30	4975L1	Bearing Shim Block	2	2					

IMPORTANT
 Dodge Sheaves Will NOT Work With QD Hubs
 QD Sheaves Will NOT Work With Dodge Hubs

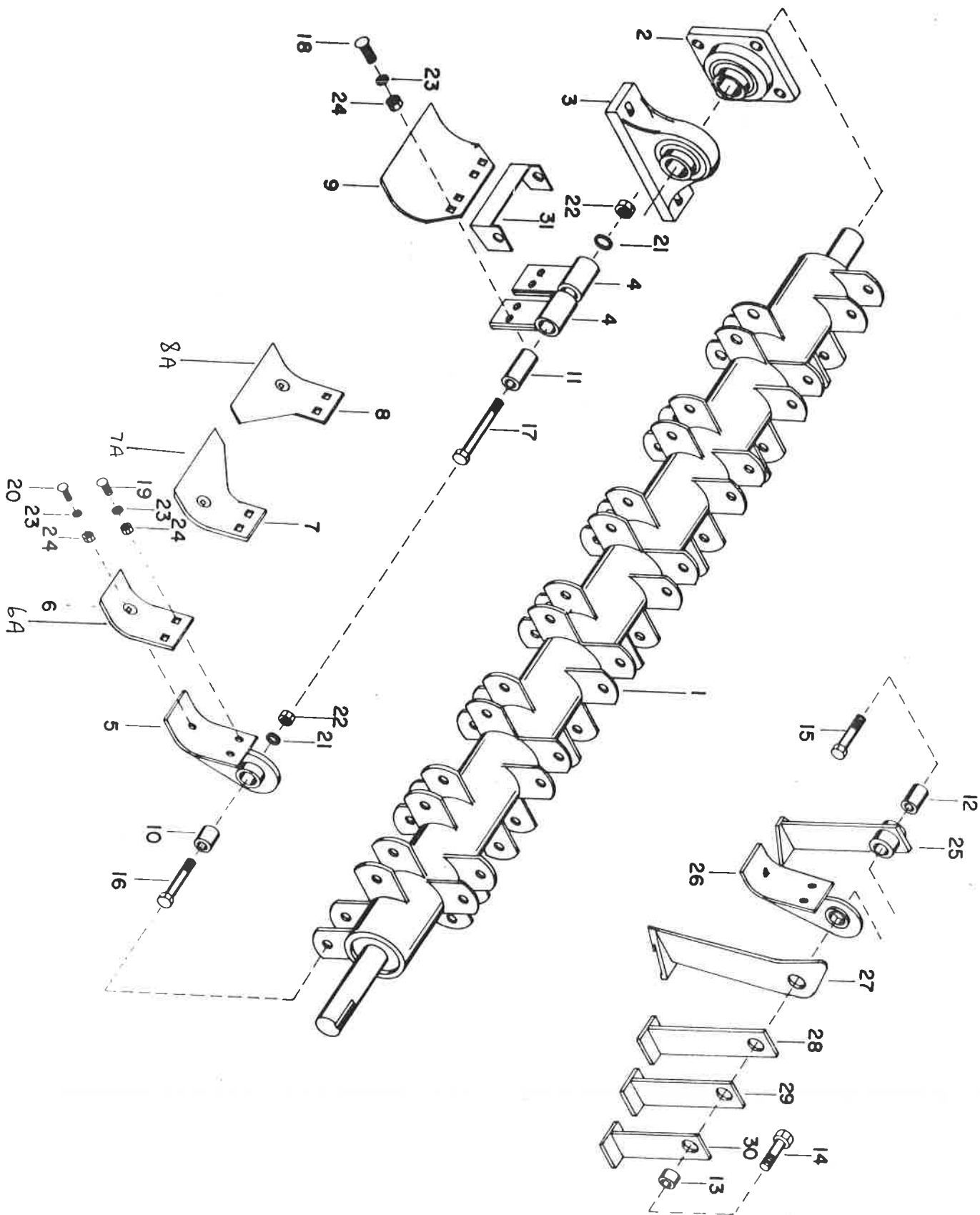


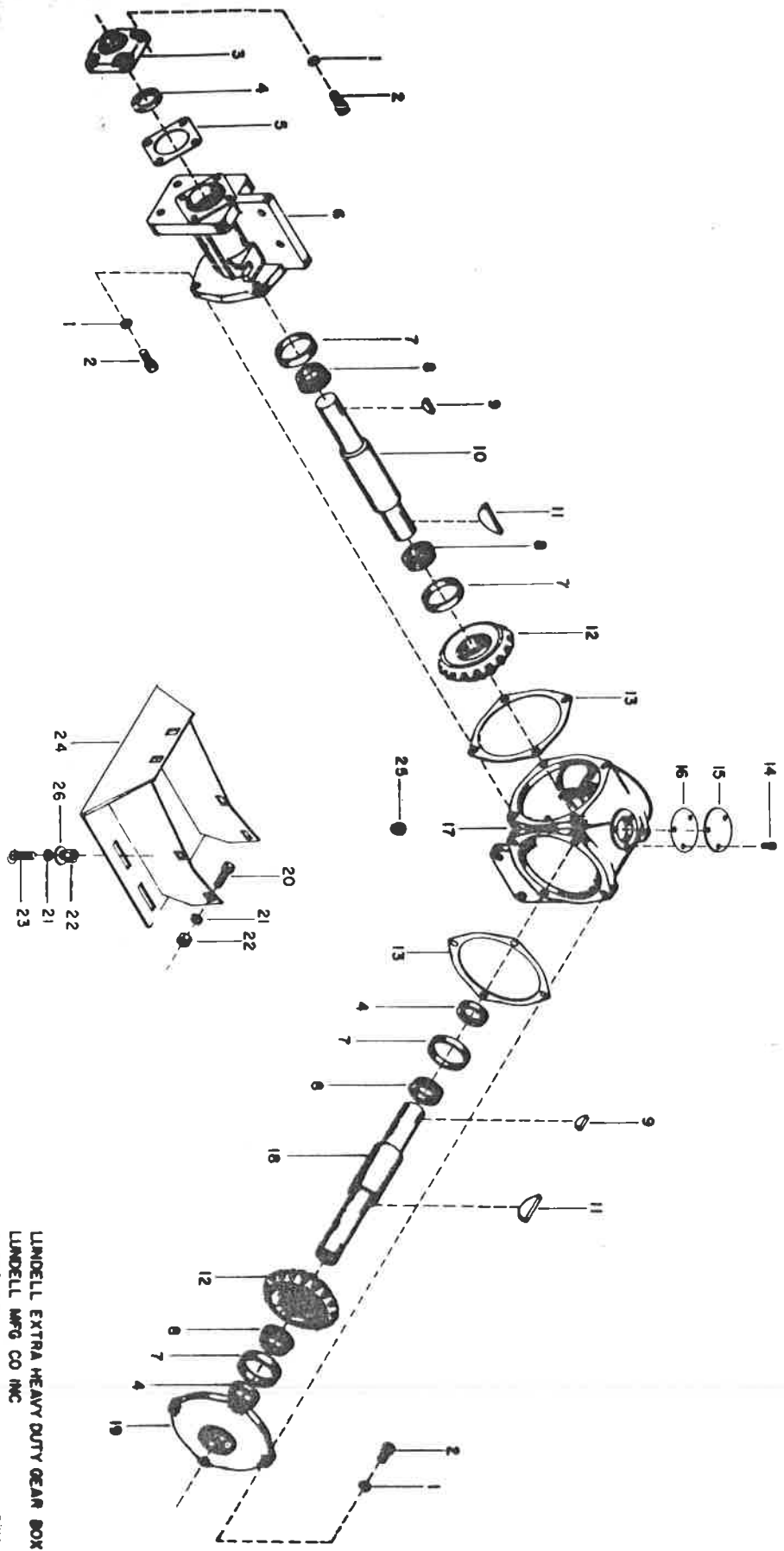
SPEED	SHEET	BELT AND SHEAVE COMBINATIONS		TOP HUB	BOTTOM HUB
		TOP SHEAVE	BOTTOM SHEAVE		
540 RPM	4494L1	4487L1	OC-641	4488L1	OC-638C
1000 RPM	5015L1	4976L1	4978L1	4488L1	OC-638C
1000 RPM	4977L1	5014L1	OC-641	4488L1	OC-638C
540 RPM	4494L1	5016L1	5022L1	5017L1	5023L1
1000 RPM	4977L1	5019L1	5022L1	5020L1	5023L1
1000 RPM	5015L1	5018L1	5021L1	5020L1	5023L1

PLAIL CYLINDER ASS'Y

Ref. No.	Part No.	Name and Description	No. Req.		Ref. No.	Part No.	Name and Description	No. Req.	
			2 row	4 row				2 row	4 row
1	4426L91	Cylinder Only R.H.	1	1	25	DNA *			
*	4427L91	Cylinder Only L.H.	1	1	26	DNA *			
2	OC-663	Flange Bearing Ass'y	2	4	27	DNA *			
*	OC-664	Flange Block Only	1	1	28	DNA *			
*	OC-665	Replacement Bearing Only	1	1	29	DNA *			
3	DNA *				30	DNA *			
4	DNA *				31	DNA *			
5	OC-620	Hammer Shank	34	68		4454L91	Knife Bolt Kit-Incl.	1	2
6	2197L1	Hammer Knife	32	64			68 X-3		
6A	2198L1HF	Hammer Knife Hard Faced	-	-	*		34 X-408		
7	4651L91	Offset Hammer Knife Left Hand	-	2			102 X-702		
7A	4651L91HF	Offset Hammer Knife Left Hand-Hard Faced	-	-	*		102 X-503		
8	4650L91	Offset Hammer Knife Right Hand	2	2			Cross Bolt Kit-Incl.	1	2
8A	4650L91HF	Offset Hammer Knife Right Hand-Hard Faced	-	-	*		34 X-232		
9	DNA *						34 X-704		
10	OC-621	Hammer Bushing	34	68			34 X-510		
11	DNA *				*	4452L91	Bushing Kit-Incl.	1	2
12	DNA *						34 OC-621		
13	DNA *						64 2197L1		
14	DNA *				*	4450L91	Knife Kit-Incl.	-	1
15	DNA *						2 4651L91		
16	X-232	Capscrew, H.H. 9/16 x 2 3/4 H.T.	-	68			2 4650L91		
17	DNA *						32 2197L1		
18	DNA *						Knife Kit-Incl.	1	-
19	X-3	Carriage Bolt 3/8 x 1 H.T.	68	136					
20	X-408	Plow Bolt 3/8 x 1 H.T.	34	68					
21	X-704	Lockwasher 9/16	34	68					
22	X-510	Hex Nut-9/16	34	68					
23	X-702	Lockwasher 3/8	102	204					
24	X-503	Hex Nut 3/8	102	204					

ATTN:





FORM NO. 5004 P1

LINDELL EXTRA HEAVY DUTY GEAR BOX
 LINDELL MFG CO INC
 CHEMOKEE IOWA

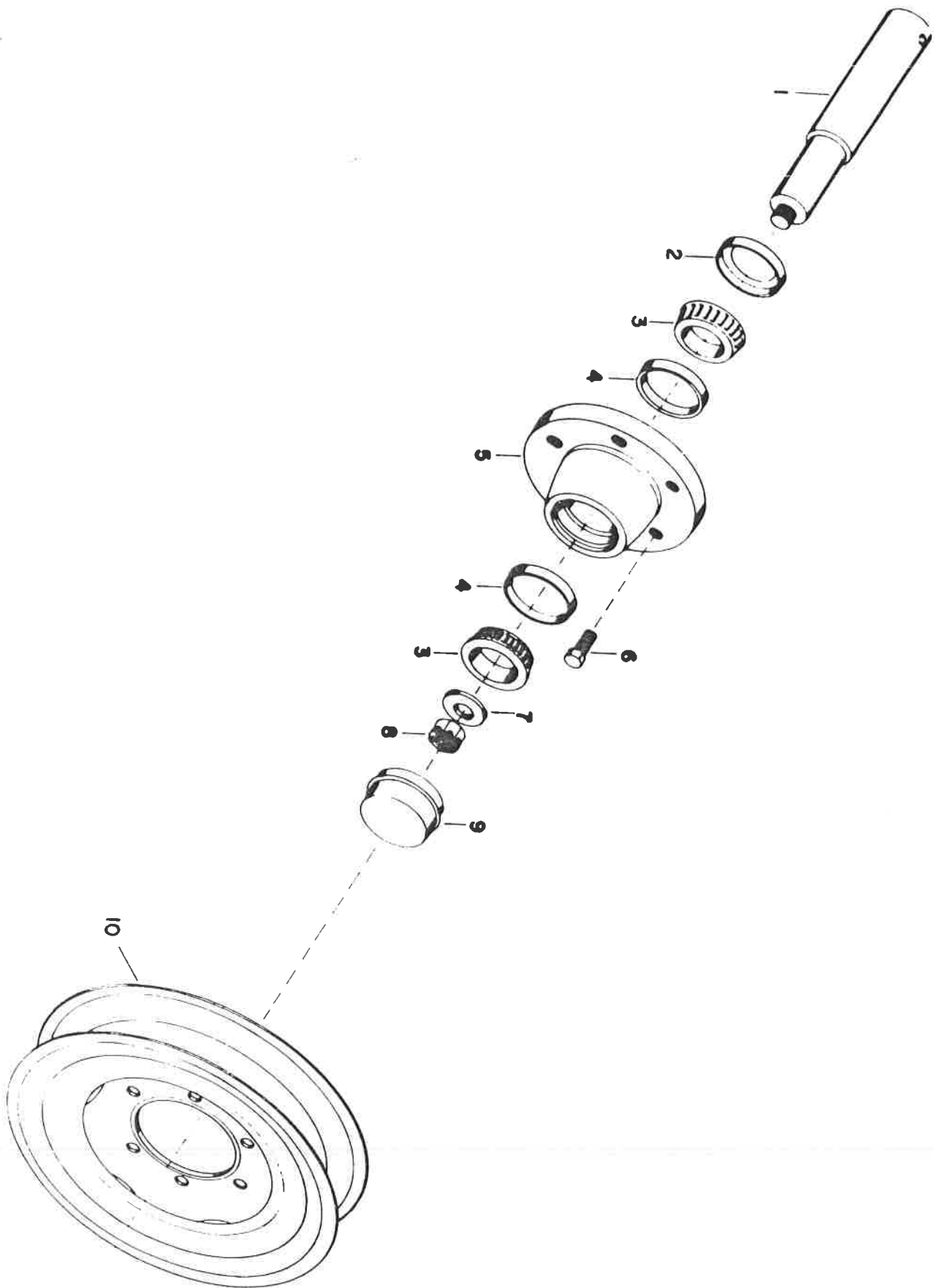
HUBS AND WHEELS
6 BOLT HUBS FOR NEWER MACHINES

Ref. No.	Part No.	Name and Description	No. Req.	
			2 Row	4 Row
1	DNA*			
2	S-121	Grease Seal	2	2
3	3997L1	Bearing Cone	4	4
4	3996L1	Bearing Cup	4	4
5	4484L1	Hub Ass'y	2	2
		Incl. X-260 Bolts		
		3996L1 Cups		
6	X-260	Lug Bolts	12	12
7	2994L1	Washer	2	2
8	X-534	Nut-Spindle	2	2
9	3999L1	Hub Cap	2	2
10	4894L1	Wheel Rim 14 x 5 - 6 Bolt-Optional		
	4895L1	Wheel Rim 15 x 5 - 6 Bolt-Optional		
*	4681L91	Hub Complete	2	2
		Incl. Nos. 2 Thru 9		

5 BOLT HUBS FOR OLDER MACHINES

1	DNA*			
2	4282L1	Grease Seal	--	2
3	2997L1	Bearing Cone	--	4
4	2996L1	Bearing Cup	--	4
5	4433L91	Hub Ass'y	--	2
		Incl. X-260 Bolts		
		2996L1 Cups		
6	X-260	Lug Bolt	--	10
7	2994L1	Washer	--	2
8	X-534	Nut-Spindle	--	2
9	3999L1	Hub Cap	--	2
10	2136L1	Wheel Rim-14x5-5 Bolt	--	Opt.
	S-53	Wheel Rim-15x5-5 Bolt	--	Opt.
*	4281L91	Hub Ass'y Comp.	--	2
		Inc. Nos. 2 Thru 9		

*DNA - Does not apply.

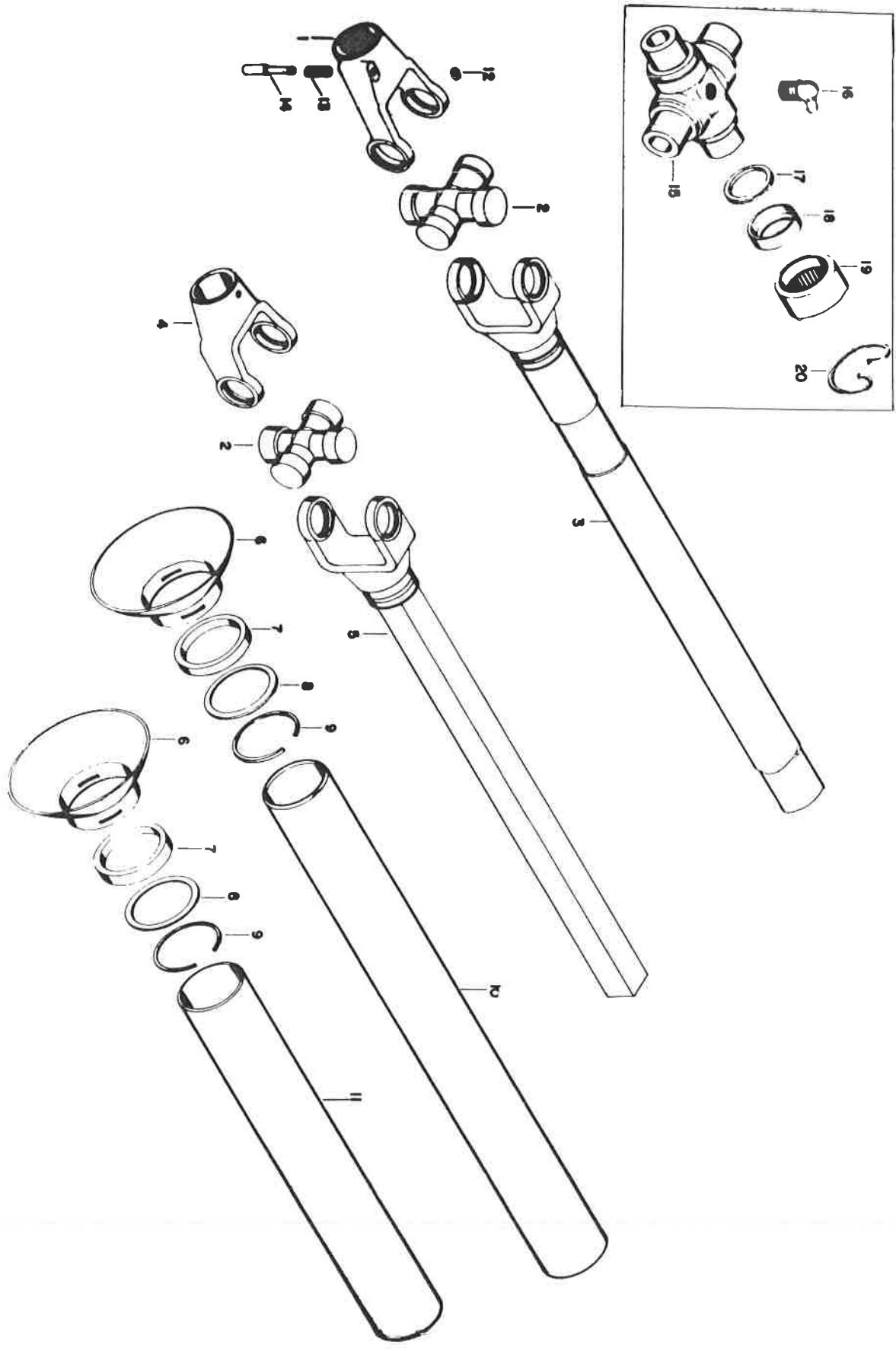


P.T.O. SHAFT

Ref. No.	Part No.	Name and Description	No. Req.	
			2 Row	4 Row
*	S-415	P.T.O. Complete	1	1
*	S-320K	P.T.O. Tractor Half	1	1
*	S-321K1	P.T.O. Machine Half	1	1
1	S-180	Splined Yoke	1	1
2	S-188	Journal Replacement Kit (Incl. Nos. 15 thru 20)	2	2
3	S-408	Yoke & Tube Ass'y	1	1
4	S-190	Yoke - 1½ Bore	1	1
5	S-413	Yoke & Sq. Shaft Ass'y	1	1
6	S-410	Bell Shield	2	2
7	S-409K	Nylon Bearing	2	2
8	S-414	Thrust Washer	2	2
9	4893T1	Retaining Ring	2	2
10	S-411	Shield Tube-Outer	1	1
11	S-412	Shield Tube-Inner	1	1
12	S-402	Spring Cotter Pin	1	1
13	S-108	Lock Pin Spring	1	1
14	S-107	Lock Pin	1	1
15	S-181	Center Cross Only	2	2
16	X-901	Zerk	2	2
17	S-183	Seal	8	8
18	S-182	Retainer	8	8
19	S-184	Needle Cup Ass'y	8	8
20	S-185	Snap Ring	8	8

P.T.O. SHAFT

Ref. No.	Part No.	Name and Description	No. Req.	
			2 row	4 row
*	S-415	P.T.O. Complete	1	1
*	S-320K	P.T.O. Tractor Half	1	1
*	S-321K1	P.T.O. Machine Half	1	1
1	S-180	Splined Yoke	1	1
2	S-188	Journal Replacement Kit (Incl. Nos. 15 thru 20)	2	2
3	S-408	Yoke & Tube Ass'y	1	1
4	S-190	Yoke - 1 1/2" Bore	1	1
5	S-413	Yoke & Sq. Shaft Ass'y	1	1
6	S-410	Bell Shield	2	2
7	S-409K	Nylon Bearing	2	2
8	S-414	Thrust Washer	2	2
9	4893L1	Retaining Ring	2	2
10	S-411	Shield Tube-Outer	1	1
11	S-412	Shield Tube-Inner	1	1
12	S-402	Spring Cotter Pin	1	1
13	S-108	Lock Pin Spring	1	1
14	S-107	Lock Pin	1	1
15	S-181	Center Cross Only	2	2
16	X-901	Zerk	2	2
17	S-183	Seal	8	8
18	S-182	Retainer	8	8
19	S-184	Needle Cup Ass'y	8	8
20	S-185	Snap Ring	8	8



JET STAR SPOUT ASSEMBLY

<u>Ref.No.</u>	<u>Part No.</u>	<u>Description</u>	<u>No. Rqd.</u>
1	4921LL1	Bottom Front Panel	1
2	4920LL1	Top Front & Rear Panel	2
3	4935L91	Hood Assembly	1
4	4917LL1	Hinge Pin	1
5	4934L91	Flap Assembly	1
6	4919LL1	Side Panel L.H.	1
7	4918LL1	Side Panel R.H.	1
8	4922LL1	Bottom Rear Panel	1
9	4923LL1	Door Gusset - R.H.	1
10	4924LL1	Door Gusset - L.H.	1
11	4936L91	Door Assembly	1
12	4937LL1	Angle	1
13	OC-91	Lower Rope Holder	1
14	4485LL1	Upper Rope Holder	1
15	OC-42	Rope Holder Extension	1
16	OC-626	Wagon Hitch - Bottom	1
17	4929LL1	Wagon Hitch - Top	1
18	OC-643	Rope Handle	2
19	A-105	Rope Clip	1
*	OC-518	Pulley	1
	3538LL1	Rope 1/4 x 15'6"	1

LUNDELL MFG. CO., INC.
Cherokee, Iowa