

PARTS BOOK

LUNDELL

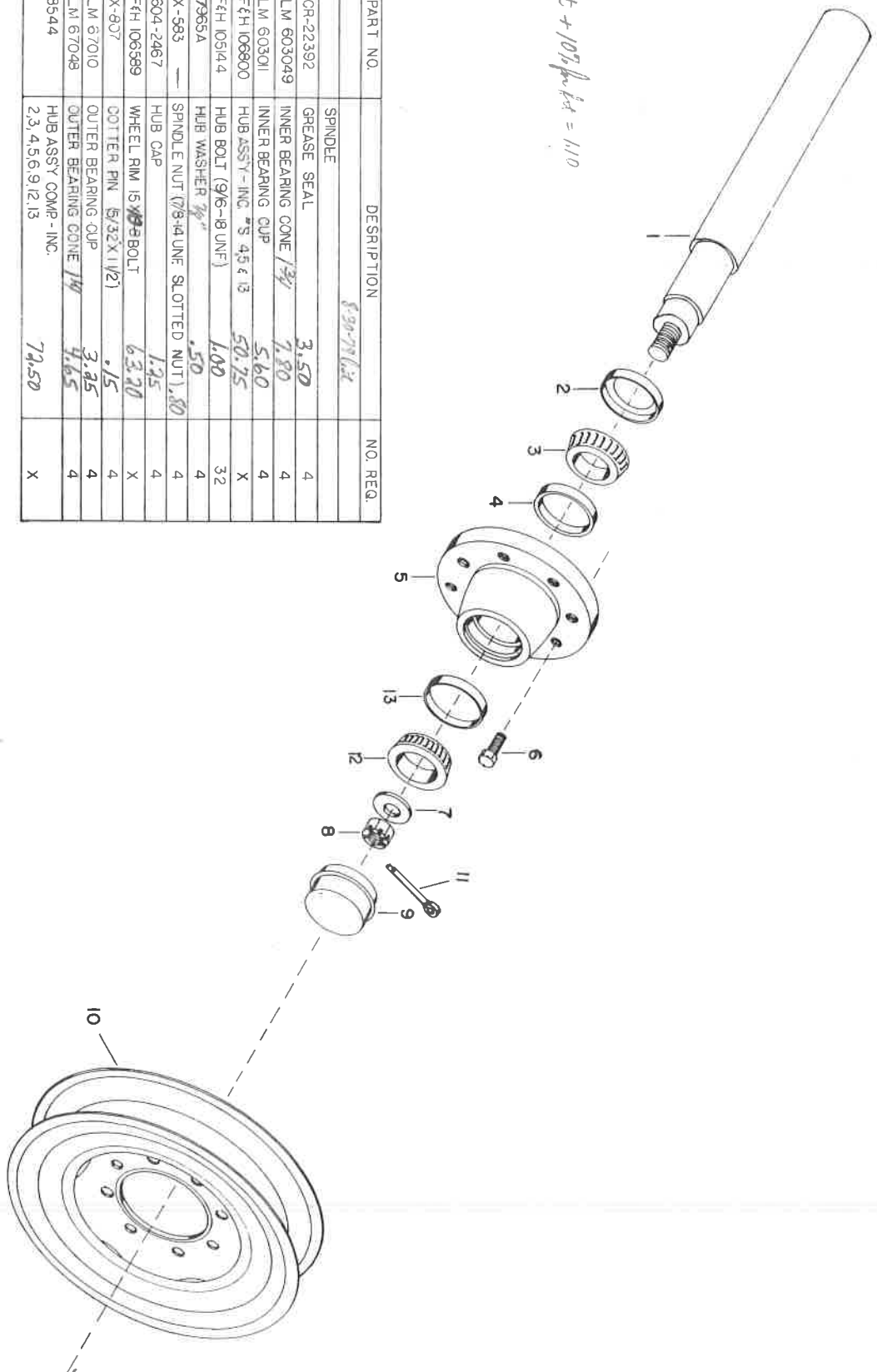
**RUNNING GEAR
MODEL 2480**



MANUFACTURING COMPANY
(INCORPORATED)

CHEROKEE, IOWA

Cost + 10% for tax = 1.10



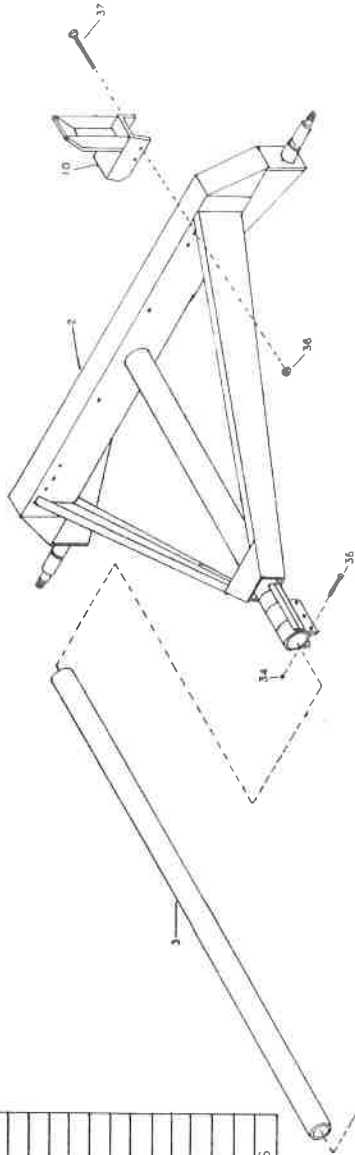
REF. NO.	PART NO.	DESCRIPTION	NO. REQ.
1		SPINDLE <i>5.90-7.1/2</i>	
2	CR-22392	GREASE SEAL	4
3	LM 603049	INNER BEARING CONE <i>1 3/4</i>	4
4	LM 603011	INNER BEARING CUP	4
5	F4H 106900	HUB ASSY - INC. #S 4.5 & 1.3	X
6	F4H 105144	HUB BOLT (9/16-18 UNF)	32
7	7965A	HUB WASHER <i>7/8"</i>	4
8	X-583	SPINDLE NUT (7/8-14 UNF. SLOTTED NUT) <i>1.80</i>	4
9	604-2467	HUB CAP	4
10	F4H 106599	WHEEL RIM IS 15 8 BOLT	X
11	X-807	COTTER PIN (5/32 X 1 1/2)	4
13	LM 67010	OUTER BEARING CUP	4
14	LM 67048	OUTER BEARING CONE <i>1 1/4</i>	4
	8544	HUB ASSY COMP - INC. 2,3,4,5,6,9,12,13	<i>79.50</i>

8 BOLT HUB ASSEMBLY

REF. NO.	PART NO.	DESCRIPTION	NO. REQ.
1	A-8472B	FRONT AXLE ASSY.	1
2	A-8471B	REAR AXLE ASSY.	1
3	7972A	REACH	1
4	A-8475A	OUTER TONGUE ASSY.	1
5	A-8476A	INNER TONGUE	1
6	A-8479A	LATCH ASSY.	1
7	A-8478A	STOP ROD ASSY.	1
8	A-8477A	TURNING STOP ASSY.	1
9	A-8473A	LEFT SPINDLE ASSY.	1
10	A-8540A	RIGHT SPINDLE ASSY.	1
11	A-8068	BOLSTER STAKE ASSY.	4
12	A-8541A	TIE ROD CLEVIS ASSY.	2
13	A-8542	TIE ROD ASSY.	2
14	7967A	TIE ROD BUSHING	1
15	8543A	SAFETY CHAIN	1
16			15 LINKS

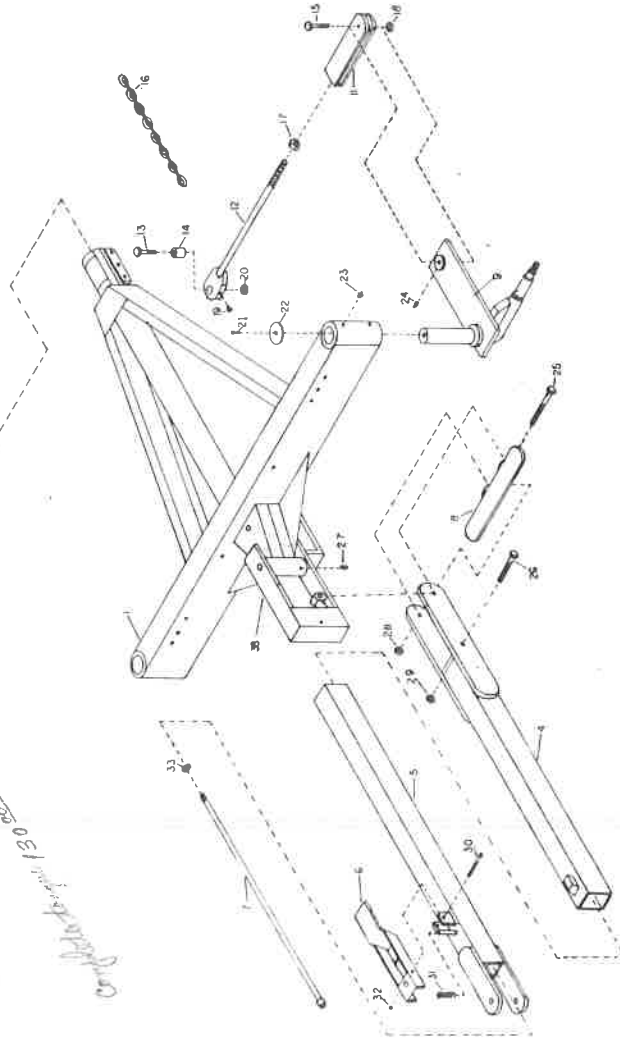
X-266

X-277



X-584

X-379



Conf. 130

REF. NO.	PART NO.	DESCRIPTION	NO. REQ.
17		1-12 UNC. HEX. NUT	1
18	X-581	3/4-10 UNC. HEX. NUT	1
19	X-905	5/16 STRAIGHT DRIVE IN ZERK	1
20	X-581	3/4-10 UNC. HEX. NUT	1
21	X-212	CAPSCREW 3/8 X 1 UNC.	1
22	7964A	SPINDLE WASHER	1
23	X-905	5/16 STRAIGHT DRIVE IN ZERK	4
24	X-905	5/16 STRAIGHT DRIVE IN ZERK	1
25	X-263	CAPSCREW 3/4 X 6 UNC.	1
26	X-263	CAPSCREW 5/8 X 6 UNC.	1
27	X-905	5/16 STRAIGHT DRIVE IN ZERK	2
28	X-581	3/4-10 UNC. HEX. NUT	1
29	X-511	5/8-11 UNC. HEX. NUT	1
30	X-227	CAPSCREW 1/2 X 3 1/2 UNC. GRADE 5	1
31	53611	COIL SPRING	1
32	X-507	1/2-13 UNC. HEX. NUT	1
33	X-582	3/4-10 UNC. SLOTTED NUT	1
34	X-507	1/2-13 UNC. HEX. NUT	1
35	X-226	CAPSCREW 1/2 X 3 UNC.	1
36	X-507	1/2-13 UNC. HEX. NUT	1
37	X-265	CAPSCREW 1/2 X 6 UNC. 5/8	1
38	A-8486A	STUB TONGUE ASSY.	1

MAIN FRAME MODEL 2480