

PARTS BOOK

LUNDELL

SNOW BLOWER



MANUFACTURING COMPANY

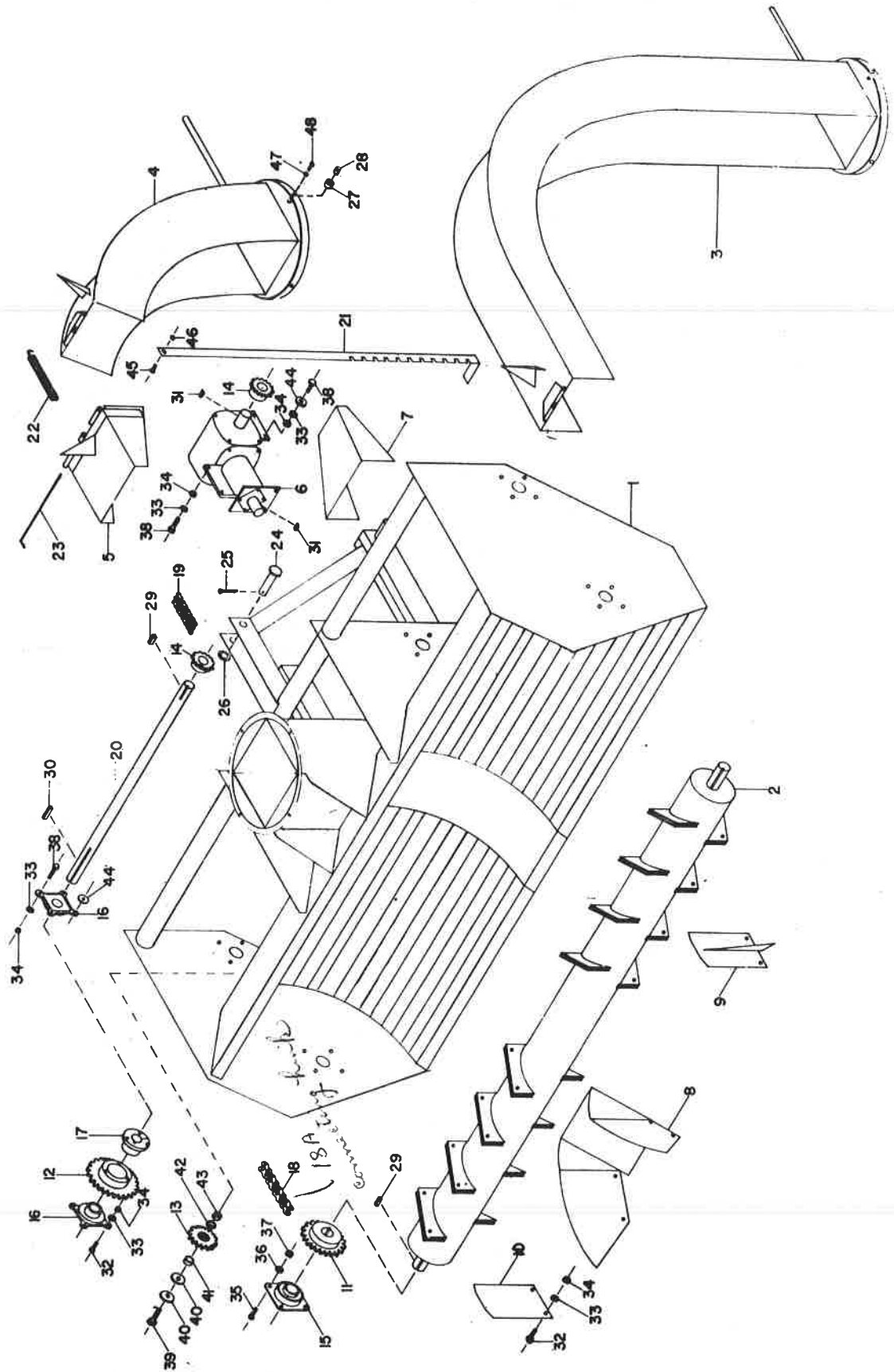
(INCORPORATED)

CHEROKEE, IOWA

Ref. No.	Part No.	Name and Description	No. Req.	Ref. No.	Part No.	Name and Description	No. Req.
1		Basic Frame	1	20	5625	Drive Shaft	1
2	5602	Cylinder Only	1	21	5626	Spout Flipper Adj. Arm	1
3	5603	Truck Loading Spout	1	22	E-309	Spring	1
4	5604	Blowing Spout	1	23	5627	Flipper Hinge Pin	1
5	5605	Spout Flipper	1	24	5630	3 Point Top Pin	1
6	2460L91	Gear Box	1	25	X-809	2x½ Cotter Key	1
7	4933L91	P.T.O. Shield	1	26	3598L1	Pin Washer	1
8	5606	Center Paddle	2	27	OC-632	Bushing Tapped	4
9	5607	Left Paddle	6	28	OC-604	Bushing Tapped	4
10	5608	Right Paddle	6	29	X-857	3/8x1½ Key Stock 3 req. on mach. in B type sprocket &	4
11	5609	80B 20 Sprocket w/1 3/4 bore	1			2 req. on mach. in O type sprocket	2
12	5610	540-80B28 Sprocket w/1½ bore		30	5632	3/8x2½ Key stock used only on mach. in Q type sprocket	1
	5611	540-80Q24 Sprocket		31	X-828	Woodruff Key	2
	5629	540-80B24 Sprocket w/1½ bore		32	X-223	½ x 1½ N.C. Bolt	36
	5612	540-80B26 Sprocket w/1½ bore		33	X-579	½ Lock Washer	47
	5613	1000-80B16 Sprocket w/1½ bore		34	X-507	½ Nut	47
	5614	1000-80B13 Sprocket w/1½ bore		35	5633	9/16x1½ N.C. - H.T. Bolt	8
13	5615	1000-80B14 Sprocket w/1½ bore		36	X-704	9/16 Lock Washer	8
	5616	8012 Idler Sprocket w/ 3/4 bore	1	37	X-510	9/16 Nut	8
14	2113L1	Chain Coupling Sprocket w/1½ bore	2	38	5634	½ x 1 3/4 N.C. Bolt	11
15	OC108 (**)	4 Hole Flange Bearing. W/1 3/4 bore	2	39	5635	3/4 x 2½ N. C. Bolt	1
16	5617 (*)	4 Hole Flange Bearing W/1 3/4 bore	2	40	X-781	3/4 Flat Washer	2
17	5618	Q1 - 1½ Bore Bushing used only with 80Q24 # 80 Roller Chain	1	41	5636	Idler Spacer	1
18	5619	70 Pitches + Connector when used with 80B28	1	42	X-708	3/4 Lock Washer	1
	5620	67 Pitches + Conn. + offset link when used with 80Q24	1	43	X-515	3/4 Nut	1
	5620	67 Pitches + Conn. + offset link when used with 80B24	1	44	X-779	½ Flat Washer	8
	5621	69 Pitches + Conn. when used with 8026	1	45	X-212	3/8 x 1 N.C. Bolt	1
	5622	65 Pitches + Conn. + offset link when used with 80B16	1	46	X-576	3/8 Lock Nut	1
	5623	62 Pitches + Conn. when used with 80B13	1	47	X-702	3/8 Lock Washer	4
	5624	63 Pitches + Conn. + offset link when used with 80B14	1	48	X-211	3/8 x 3/4 N.C. Bolt	4
19	S150C	Chain Coupling w/pin & link for Coupler w/1½ bore	1	16	5617-1	Flange Block Only	2
18A	X 797	80B CONNECTING LINK	1	16	5617-2	Bearing Only	2
				15	OC154	Bearing Only	2
				15	OC155	Flange Block Only	2

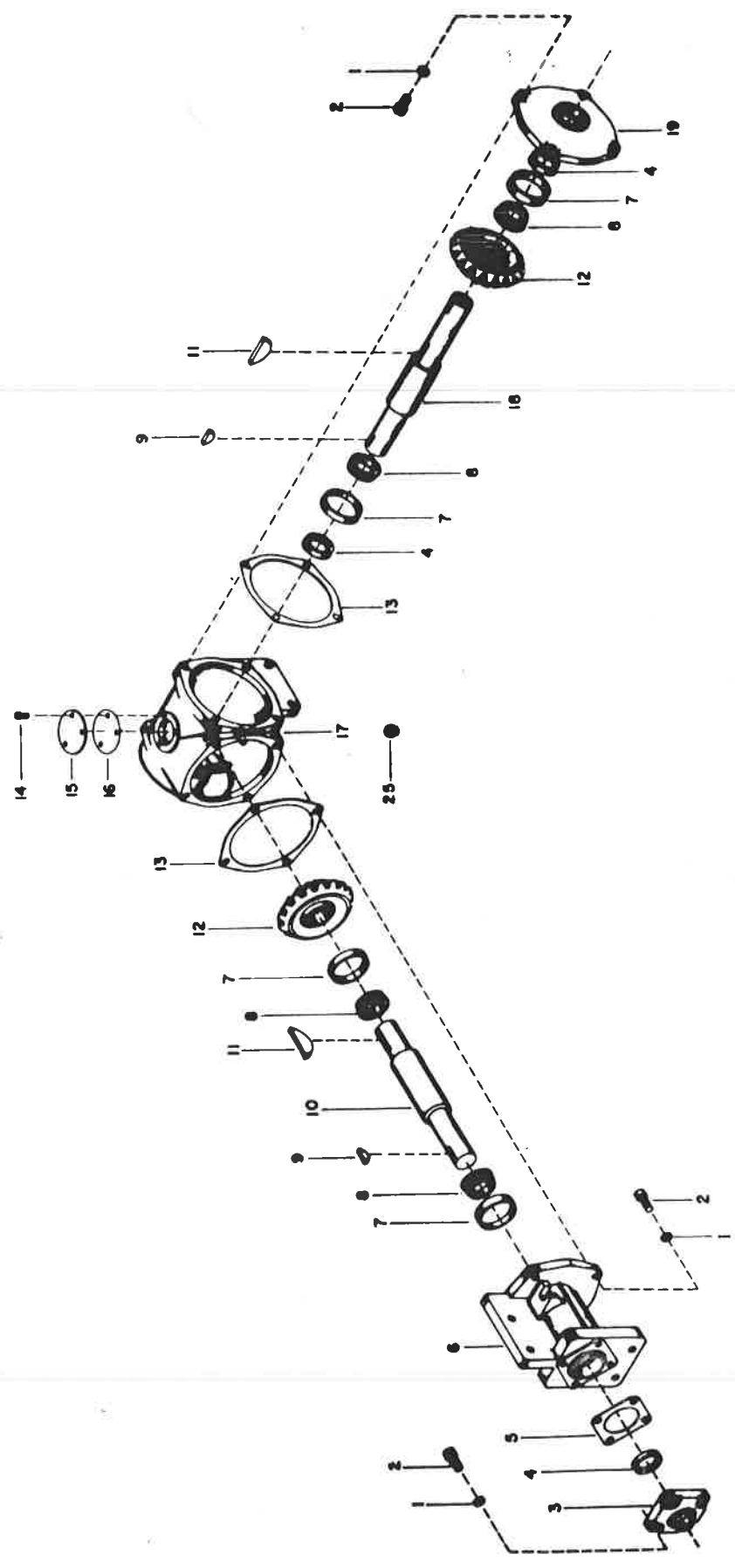
(*)

(**)

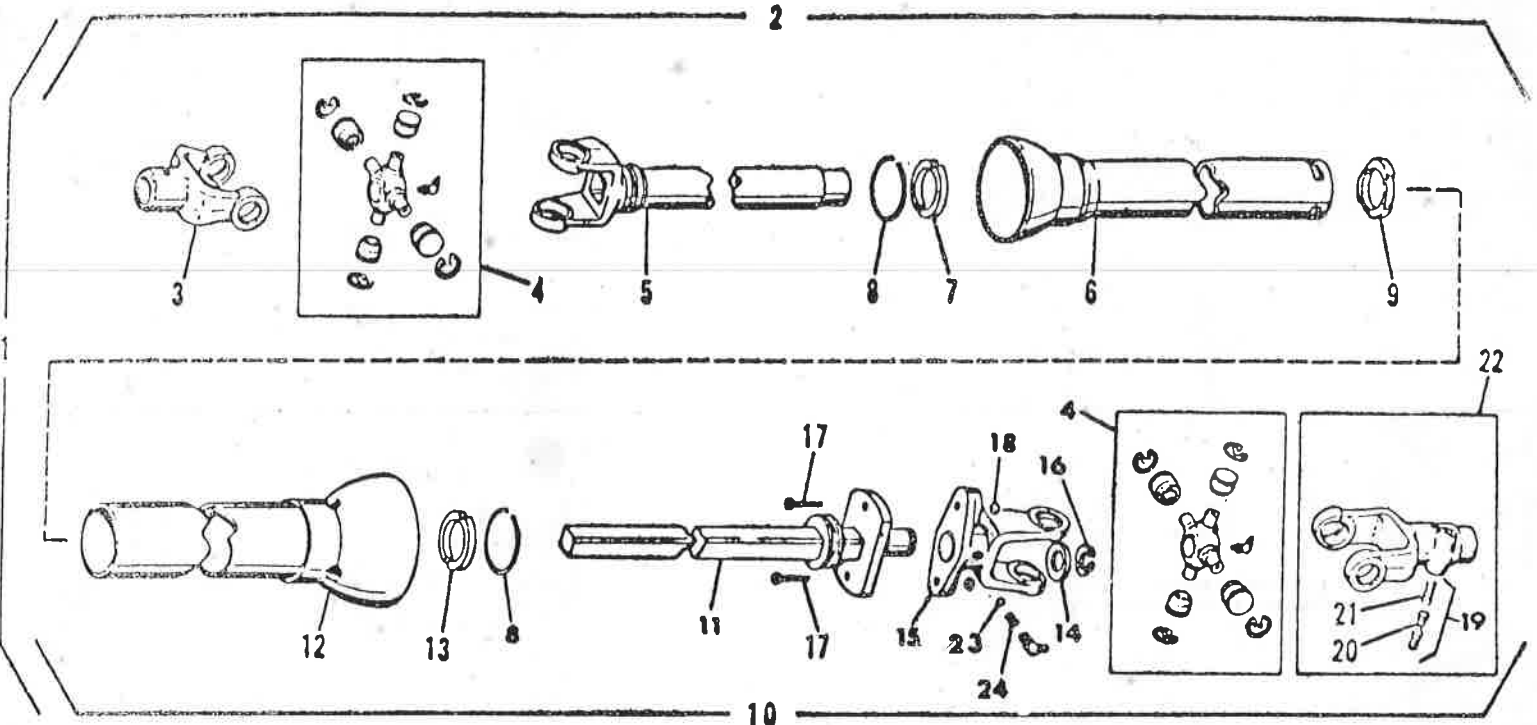


GEAR BOX

Ref. No.	Part No.	Name and Description	No. Req.		List Price	Ref. Part No.	Name and Description	No. Req.		List Price
			Std.	Dble.				Std.	Dble.	
1	X-702	Lockwasher - 3/8	12	12		13	S-209	2	2	
2	X-214	Capscrew H.H. 3/8x1 1/4	12	12		14	X-203	3	3	
3	S-201	Take Down Retaining Casting	1	1		15	S-20	1	1	
4	S-7K	Grease Seal	3	3		16	S-21	1	1	
5	S-202	Gasket	1	1		17	S-211	1	1	
6	S-207	Minor Casting-CK05	1	1		18	S-216K1	1	1	
7	S-333	Bearing Cup	4	4		19	S-213	1	1	
8	S-361	Bearing Cone	4	4		20	X-955	1	1	
9	X-828	Woodruff Key	2	2		*	2460L91	1	1	
10	S-206K3	Front Shaft	1	1			Gear Box Complete	1	1	
11	X-831	Woodruff Key	2	2			Less Mount	1	1	
12	S-210K1	Gear	2	2						



UNIVERSAL JOINT TELESCOPING ASSEMBLY WITH SHAFT SHEAR AND NYLON QUICK DETACHABLE FREEWHEELING GUARD



Lundell Part No.	Number Required	Key No.	Description
5637	1	1	"L55" Universal Joint & Shaft Shear Telescoping Assembly with Quick Detachable Free Wheeling Guard
5638	1	2	"L55" U. Jt. & Tube with QDFWG
5639	1	3	Yoke (1-1/2" Dia.)
4985L1	2	4	Repair Kit
5640	1	5	Yoke & Tube
5641	1	6	Male Guard Tube Assembly
4990L1	1	7	Nylon Bearing
4992L1	2	8	Bearing Retainer
5005L1	1	9	Nylon Centralizer
5642	1	10	"L55" U. Jt. & Shaft Shear with QDFWG
5643	1	11	Shaft with Shear Flange
5644	1	12	Female Guard Tube Assembly
5645	1	13	Nylon Bearing
5646	1	14	Washer
5647	1	15	Shear Yoke (1.189/1.187" Dia.)
5648	1	16	Retaining Ring
5649	2	17	Finished Hex Bolt
5650	2	18	Elastic Stop Nut
5653	1	19	Saf*T* Pin & Spring Kit
4997L1	1	20	Saf*T* Pin
4996L1	1	21	Lock Pin Spring
4984L1	1	22	Lock Yoke Assembly (1-3/8-6B)
5651	1	23	Ball
5652	1	24	Spring