

PARTS BOOK

LUNDELL

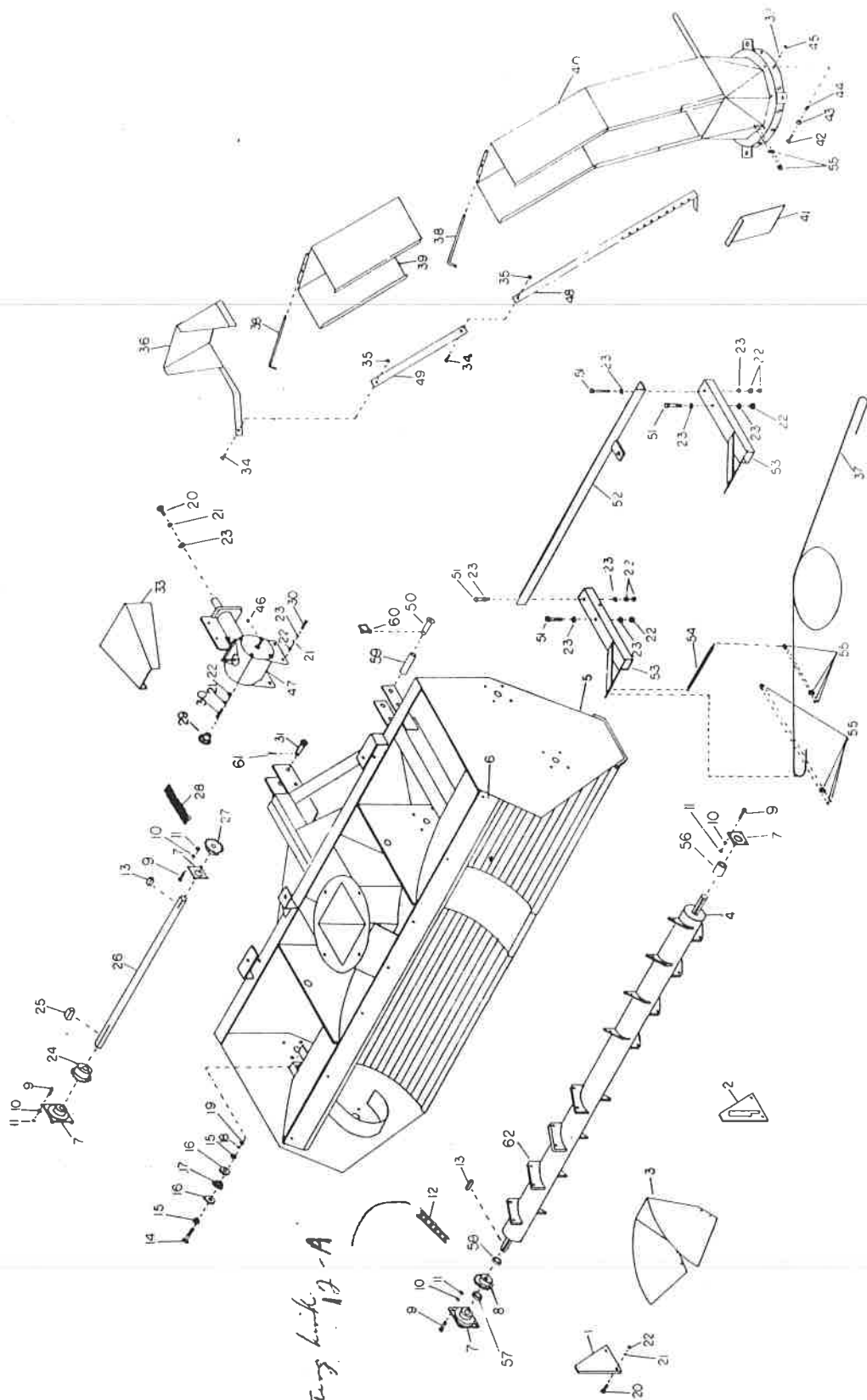
SNOW BLOWER



MANUFACTURING COMPANY
(INCORPORATED)

CHEROKEE, IOWA

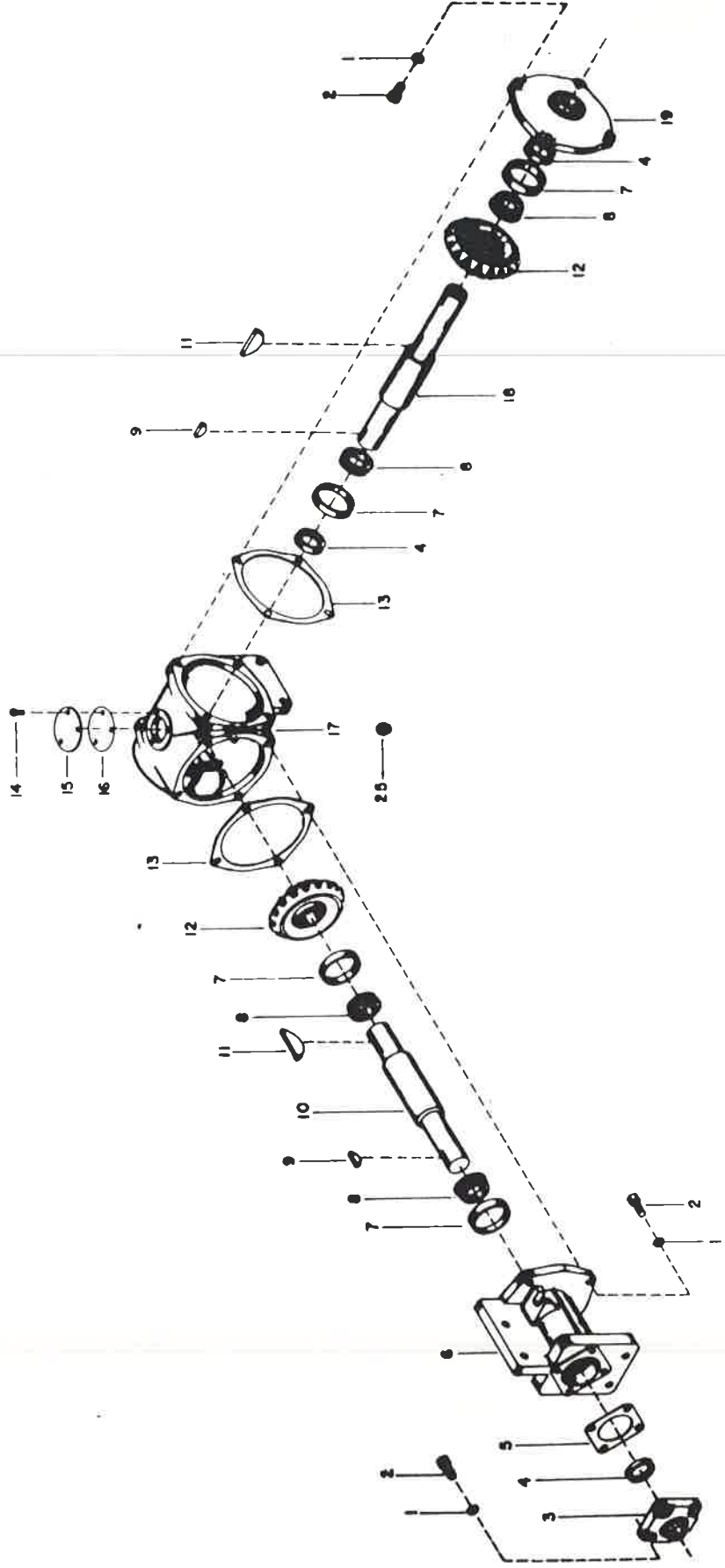
REF NO.	PART NO.	NAME AND DESCRIPTION	NO. REQ	REF NO.	PART NO.	NAME AND DESCRIPTION	NO. REQ.
1	8549A	Right Paddle Ass'y	6	28	S-150C	Chain Coupling-double	1
2	8550A	Left Paddle Ass'y	6	29	2113L1	roller chain w/pin & link	1
3	8551A	Ceñter Paddle Ass'y	2	30	5634	Chain Coupling Sprocket	1
4	8426A	Cyl. Assembly	1	31	5630	w/1 1/2 Bore	5
5		Main Frame	1	32	X-702	1/2 x 1 3/4 Bolt	1
6	5783B	Front Shield New Design	1	33	4933L91	1 x 4 1/2 3 pt. top pin	1
7	OC-108	4-Hole Flange Bearing	4	34	X-212	3/8 Lock Washer	6
		w/ 1 3/4 Bore	4	35	X-576	P.T.O. Shield	1
8	OC-154	1 3/4 Replmt. Brg. Only	4	36	8548A	3/8 x 1 Bolt	2
9	OC-155	1 3/4 Flange Block Only	4	37	X-576	3/8 Lock Nut	1
10	5609	80B20 Sprocket w/1 3/4 Bore	1	38	8554A	Spout Flap Assembly	1
11	9/16 x 1	1/2 H.T. Bolt	16	39	5627	3/16 x 11 1/2 ft. Cable	1
12	X-704	9/16 Lock Washer	16	40	8462A	Hinge Pin	2
13	X-510	9/16 Hex Nut	16	41	8546B	Truck Spout Extension	1
14	5621	#80 Roller Chain 68 Pitches	1	42	5799A	Spout Assembly	1
15	5624	& Conn when used w/80B26	1	43	X-211	Sliding Door	1
16	X797	#80 Roller Chain 62 Pitches	1	44	OC-632	3/8 x 3/4 Bolt	6
17	5773A	& Conn. when used w/80B14	2	45	OC-604	Base Outer Tubing	6
18	X-266	Keystock 3/8 x 1 1/2	1	46	X-503	Base Inner Tubing	6
19	8552A	3/4 x 3 1/2 Bolt	2	47	X-828	3/8 Hex Nut	6
20	X-782	Idler Sprocket Spacer	2	48	2460L91	Woodruff Key - Type E	2
21	5616	1" Flat Washer	2	49	5626	Gear Box Complete	1
22	X-708	Idler Sprocket 3/4" Bore	1	50	8463	Adjustable Spout Handle	1
23	X-515	3/4 Lock Washer	1	51	1900A	Handle Ext. for truck spout	1
24	X-223	3/4 Hex Nut	33	52	X-227	1 1/8 x 6 bottom 3pt pin	2
25	X-579	1/2 x 1 1/2 Bolt	38	53	8032B	1/2 x 3 1/2 Bolt	4
26	X-507	1/2 Lock Washer	43	54	8058A	Connecting Angle Ass'y	1
27	X-779	1/2" Hex Nut	13	55	X-60	Rotating Arm Assembly	2
28	9051	1/2-Flat Washer	1	56	X-90	Hyd. Spout Spring 10 1/8 L.2	4
29	9052	540-80B26 Sprocket w/ w/1 3/4 Bore	1	57	6744A	3/16 Cable Clamp	1
30	5772A	1000-80B14 Sprocket	1	58	8252A	Auger End Spacer 2 1/4"	1
31	1913A	Keystock 3/8 x 2 1/4	1	59	7498A	Auger End Spacer 5/15"	1
32	8553A	Drive Shaft 1 3/4	1	60	8464A	Auger End Spacer 1/2"	1
		Chain Coupling Sprocket	1	61	X-799	Category Adaptor Lower Hitch 2	2
		w/1 3/4 Bore	1	62	X-800	Snapper Pin	1
			1		3785A	Cotter Pin 7/32 x 2	1
						Blade Holder	32



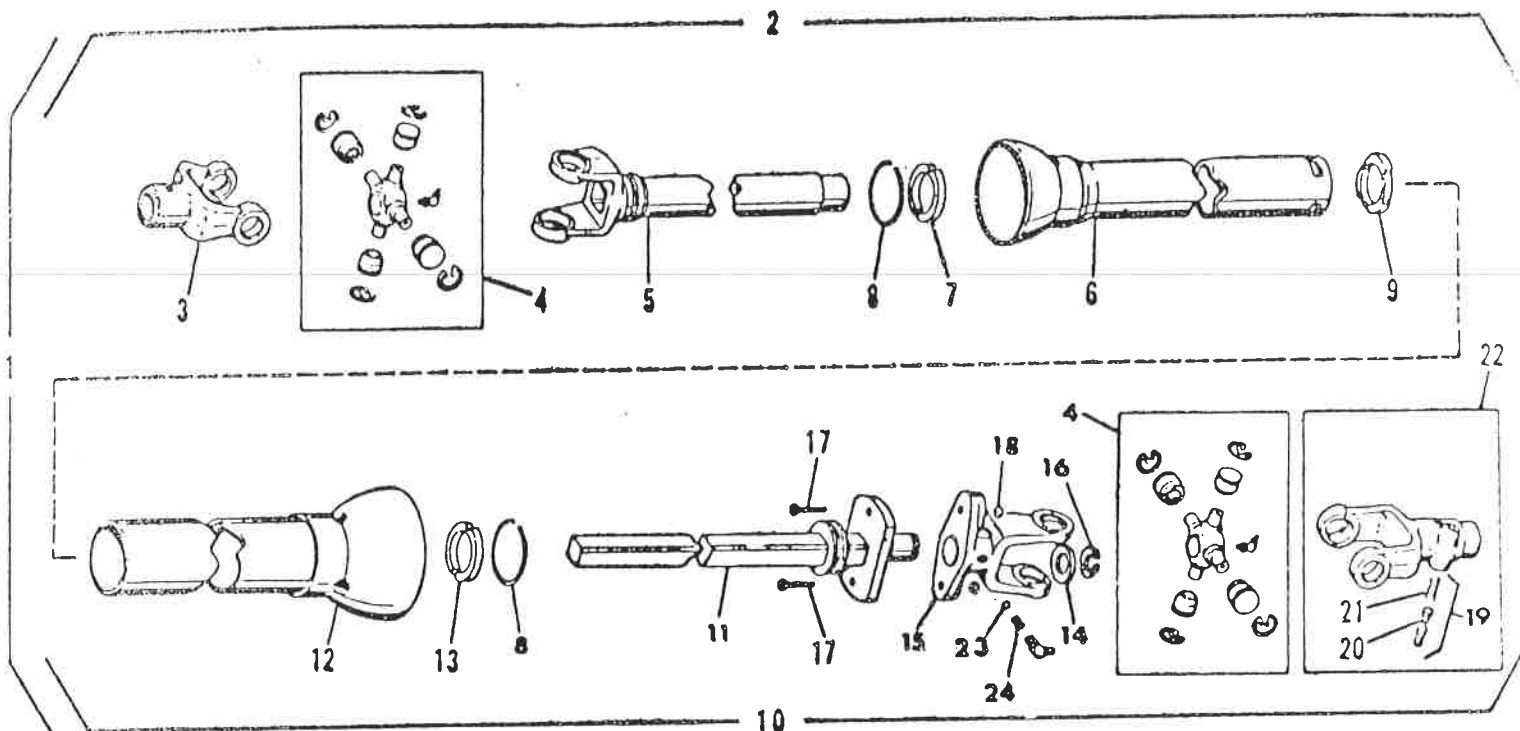
SC H Connecting Link 12-A
 X 4997

GEAR BOX

Ref. No.	Part No.	Name and Description	No. Req.		List Price	Ref. Part No.	Name and Description	No. Req.		List Price
			Std.	Dr.				Std.	Dr.	
1	X-702	Lockwasher - 3/8	12		12	13	S-209	2		2
2	X-214	Capscrew H.H. 3/8x1 1/4	12		12	14	X-203	3		3
3	S-201	Take Down Retaining Casting	1		1	15	S-20	1		1
4	S-7K	Grease Seal	3		3	16	S-21	1		1
5	S-202	Gasket	1		1	17	S-211	1		1
6	S-207	Minor Casting-CK05	1		1	18	S-216K1	1		1
7	S-333	Bearing Cup	4		4	19	S-213	1		1
8	S-361	Bearing Cone	4		4	20	X-955	1		1
9	X-828	Woodruff Key	2		2	*	2460L91	1		1
10	S-206K3	Front Shaft	1		1		Gear Box Complete	1		1
11	X-831	Woodruff Key	2		2		Less Mount			
12	S-210K1	Gear	2		2					



UNIVERSAL JOINT TELESCOPING ASSEMBLY WITH SHAFT SHEAR AND NYLON QUICK DETACHABLE FREEWHEELING GUARD

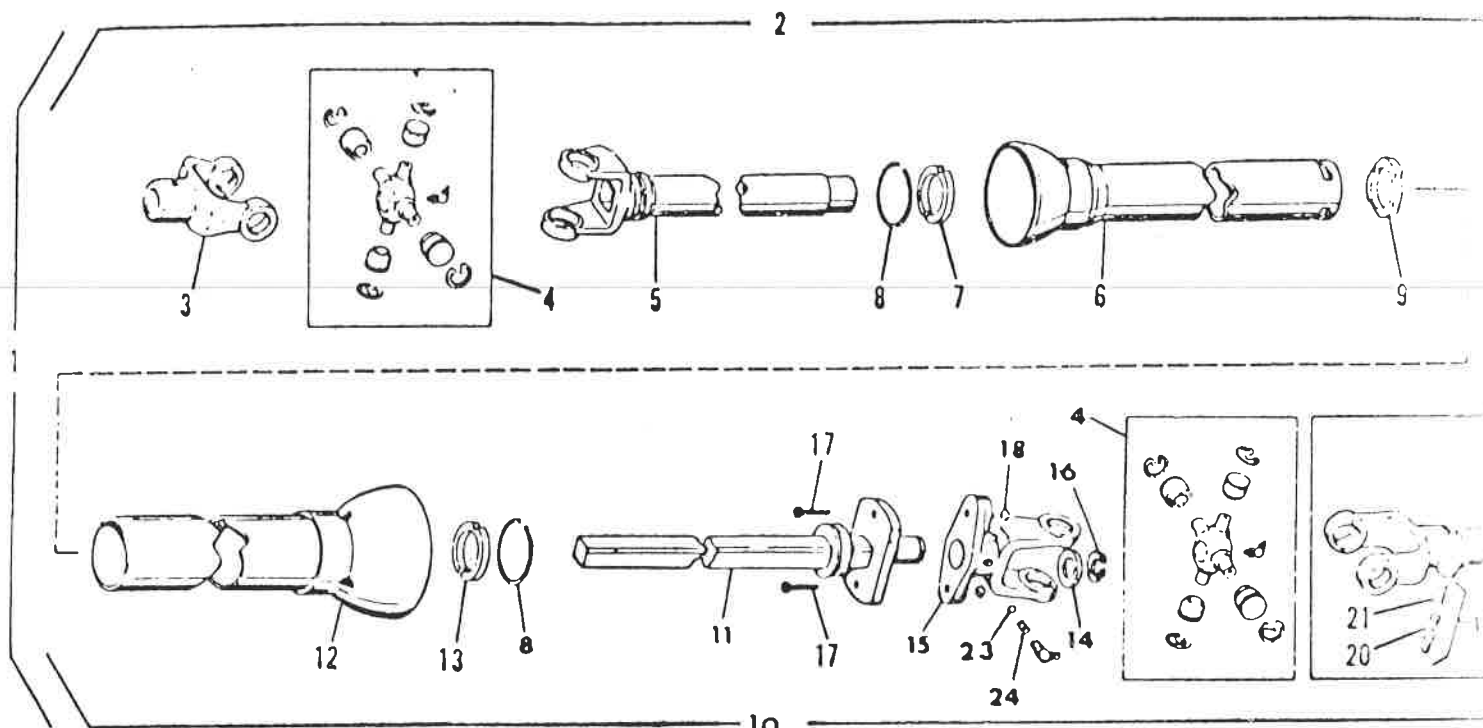


<u>Lundell Part No.</u>	<u>Number Required</u>	<u>Key No.</u>	<u>Description</u>
5637	1	1	"L55" Universal Joint & Shaft Shear Telescoping Assembly with Quick Detachable Free Wheeling Guard
5638	1	2	"L55" U. Jt. & Tube with QDFWG
5639	1	3	Yoke (1-1/2" Dia.)
4985L1	2	4	Repair Kit
5640	1	5	Yoke & Tube
5641	1	6	Male Guard Tube Assembly
4990L1	1	7	Nylon Bearing
4992L1	2	8	Bearing Retainer
5005L1	1	9	Nylon Centralizer
5642	1	10	"L55" U. Jt. & Shaft Shear with QDFWG
5643	1	11	Shaft with Shear Flange
5644	1	12	Female Guard Tube Assembly
5645	1	13	Nylon Bearing
5646	1	14	Washer
5647	1	15	Shear Yoke (1.189/1.187" Dia.)
5648	1	16	Retaining Ring
5649	2	17	Finished Hex Bolt
5650	2	18	Elastic Stop Nut
5653	1	19	Saf*T* Pin & Spring Kit
4997L1	1	20	Saf*T* Pin
4996L1	1	21	Lock Pin Spring
4984L1	1	22	Lock Yoke Assembly (1-3/8-6B)
5651	1	23	Ball
5652	1	24	Spring

1000 RPM POWER TAKE OFF SHAFT

Standard Duty

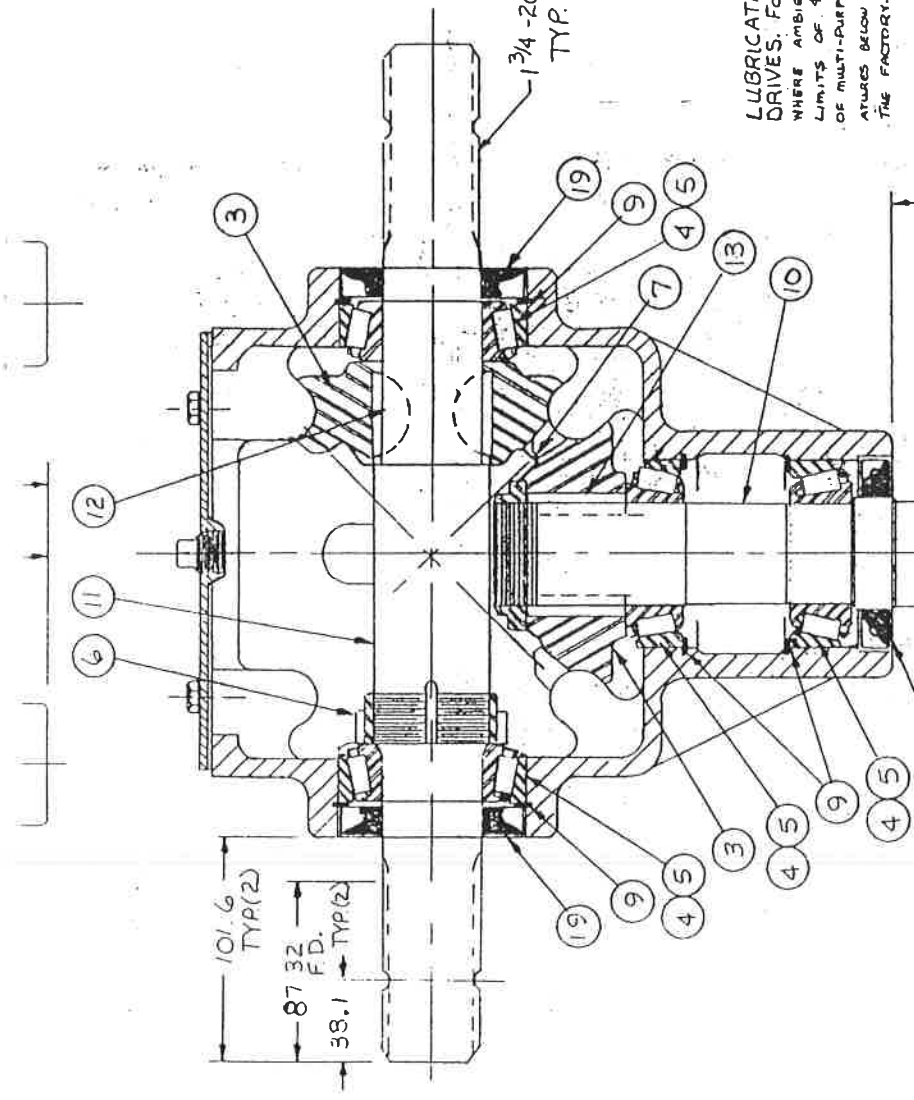
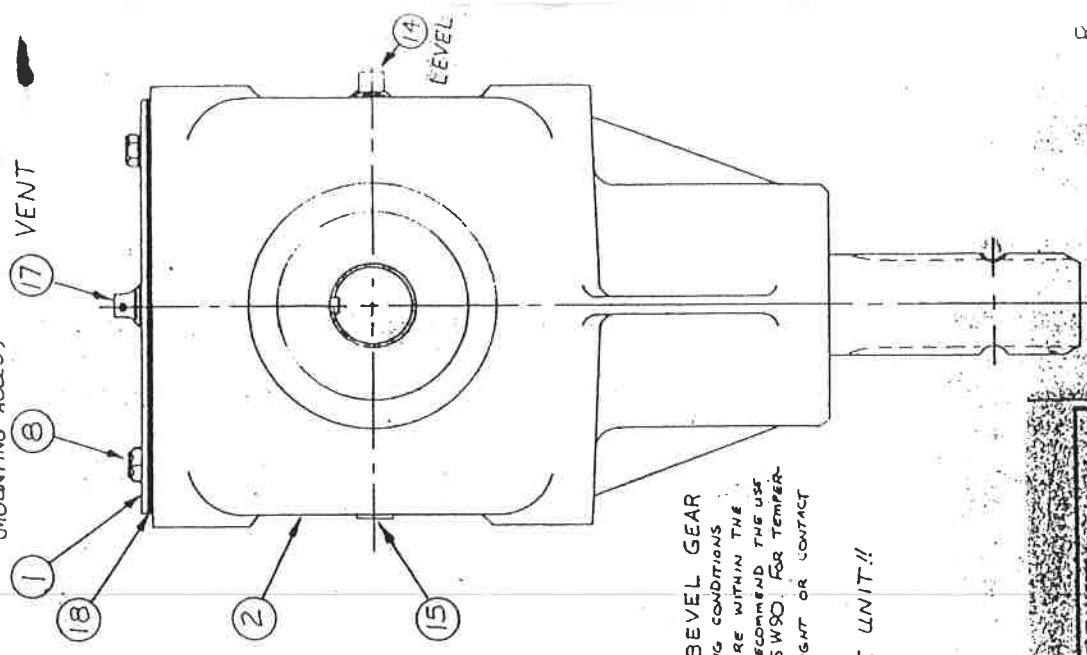
UNIVERSAL JOINT TELESCOPING ASSEMBLY WITH SHAFT SHEAR AND NYLON QUICK DETACHABLE FREEWHEELING GUARD



Lundell Part No.	Number Required	Key No.	Description
5654	1	1	"DW" Universal Joint & Shaft Shear Telescoping Assembly with Quick Detachable Free Wheeling Guard
5655	1	2	"DW" U. Jt. & Tube with QDFWG
S-190	1	3	Yoke (1-1/2" Dia.)
5656	2	4	Repair Kit
5657	1	5	Yoke & Tube
5658	1	6	Male Guard Tube Assembly
4990L1	1	7	Nylon Bearing
4992L1	2	8	Bearing Retainer
5005L1	1	9	Nylon Centralizer
5659	1	10	"DW" U. Jt. & Shaft Shear with QDFWG
5660	1	11	Shaft with Shear Flange
5661	1	12	Female Guard Tube Assembly
5645	1	13	Nylon Bearing
5646	1	14	Washer
5662	1	15	Shear Yoke (1.189/1.187" Dia.)
5648	1	16	Retaining Ring
5649	2	17	Finished Hex Bolt
5650	2	18	Elastic Stop Nut
5663	1	19	Saf*T* Pin & Spring Kit
5664	1	20	Saf*T* Pin
4996L1	1	21	Lock Pin Spring
5007L1	1	22	Lock Yoke Assembly (1-3/8-21)
5651	1	23	Ball
5652	1	24	Spring

Lundell Mfg. Co.

(8) 3/8-11 UNC. 2B TAPS
X 25.4 DEEP
(4) EACH SIDE
(MOUNTING HOLES)



LUBRICATION OF DURST BEVEL GEAR DRIVES, FOR NORMAL OPERATING CONDITIONS WHERE AMBIENT TEMPERATURES ARE WITHIN THE LIMITS OF 40°F TO 120°F, WE RECOMMEND THE USE OF MULTI-PURPOSE GEAR OIL SAE 85 W90. FOR TEMPERATURES BELOW 40°F USE SAE 80 WEIGHT OR CONTACT THE FACTORY.

DO NOT OVERFILL THE UNIT!!

ITEM	PART NO.	QTY.	DESCRIPTION
1	A 229	1	COVER
2	A 276-8	1	HOUSING
3	B 49	2	GEAR
4	C 21	4	BRG. CUP #25520
5	C 4	4	BRG. CONE #25572
6	D 10	1	STAKE NUT
7	D 172	1	STAKE NUT
8	D 198	4	CAPSCREW 5/16 NC X 5/8 LG.
9	D 333	4	SNAPRING
10	E 4603	1	SHAFT-INPUT
11	E 4604	1	SHAFT-OUTPUT
12	J 20	2	15' (1/2) WOODRUFF- HARD
13	J 55	2	KEY 3/8 SQ. X 1 1/2 LG. - HARD
14	K 36	1	PLUG 3/8-18 NPTF.
15	K 38	1	PLUG 3/8-18 NPTF.
16	K 63	1	SEAL- INPUT
17	K 151	1	PLUG-YENT 3/8-18 NPTF.
18	K 322	1	GASKET
19	K 333	2	SEAL-OUTPUT
20	P 50	1/2	SHIM

RATIO 1:1

GENERAL TOLERANCES	
FRACTIONAL = 1/16	DECIMAL = 0.005
SCALE = 1/2" = 1"	DRAWN = A.D.
CHECKED	APPROVED
PART NO.	
TITLE DURST GEAR BOX ASSEMBLY	
MODEL A 276	
DRAWN	DWG. NO.
CHECKED	5998
DATE	