

PARTS BOOK

# LUNDELL

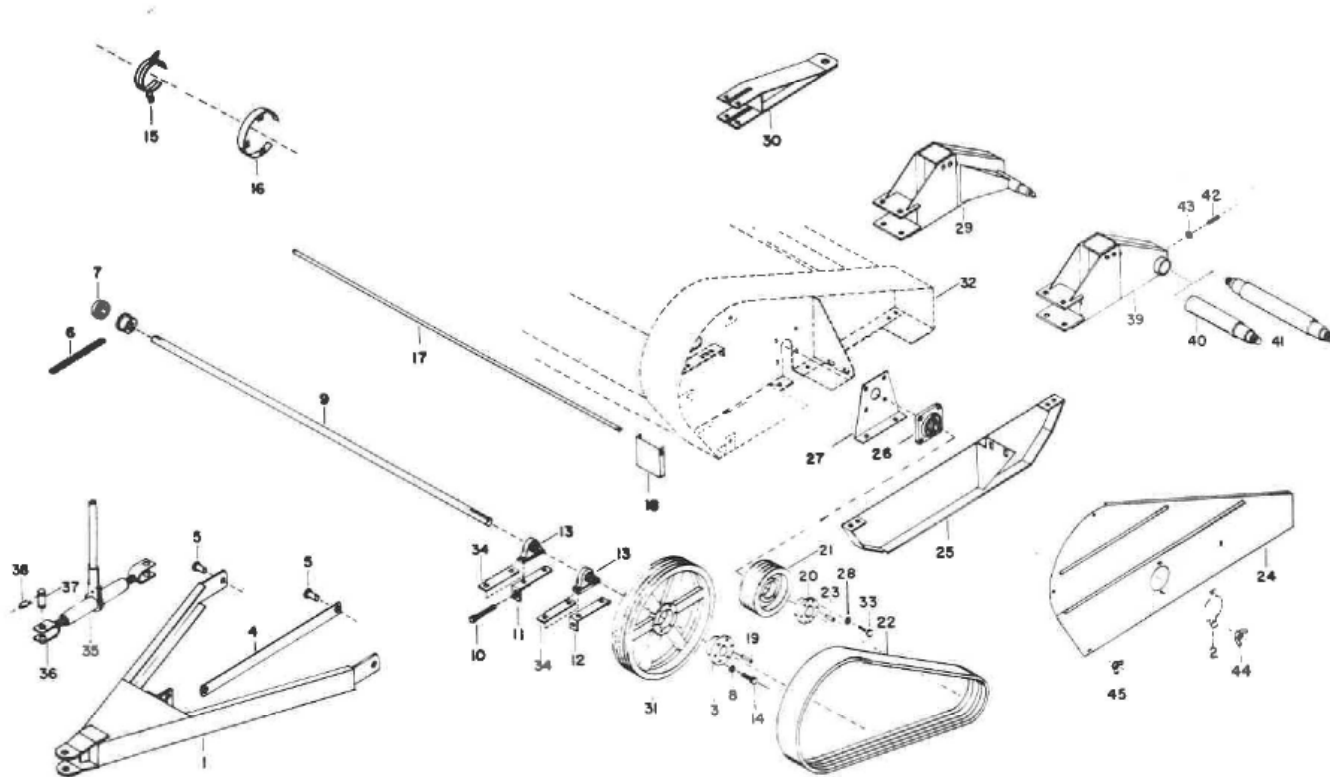
## MODEL 168 SHREDDER



**MANUFACTURING COMPANY/**

**CHEROKEE, IOWA**

# Frame - Axle - Hitch - Drive



## Frame - Axle - Hitch - Drive

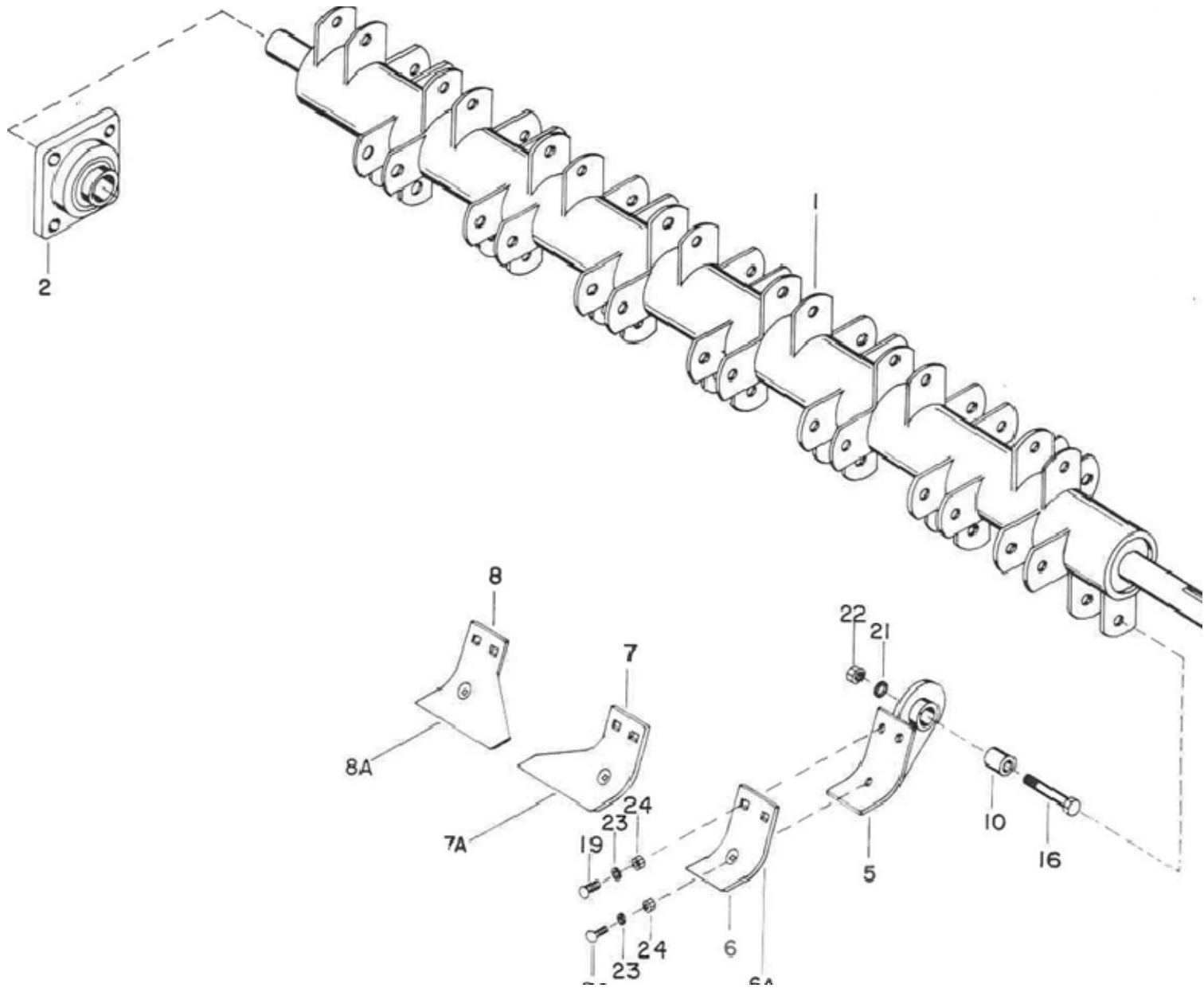
Frame - Axle - Hitch - Drive

Ref. No.	Part No.	Name and Description	No. Req	Ref. No.	Part No.	Name and Description	No. Req
	4436L91	Hitch		26	OC-663	Flange Brg. 1 3/4 Bore	4
2	579111	Grease Hole Cover	4		OC-664	Flange Block Only (Dart	x
3	5667L1	Hub - use w/18.4 sheave	2		OC-665	Replmt. Brg. Only (must be	
	5784L1	Hub - use w/12.4 sheave	2			(accompanied by	
4	4432L1	Hitch Strap				(manufacturer's	
5	59-AB-	Hitch Pin	2			(marks on both block	
6	2114L1	Chain Comp. w/pin & link for	2			(replacement bearing)	
				27	4428L1	Bearing Support Plate	2
7	211311	Chain Comp. Sprocket	4	28	X-706	Lockwasher	6
	2125L91	Chain Coupler Link Kit	2	29	4434L91	Axle Ass'y R.H.	1
8	X-702	Lockwasher			4435L91	Axle Ass'y L.H.	1
9	5772L1	Drive Shaft	2	30	5787L1	Disc Pitch	1
10	4576L91	Take-Up Bolt	4	31	5016L1	18.4 Sheave use w/540 RPM	2
11	5773L1	Tightener Strap - Inner	2		501811	12.4 Sheave - use w/1000	2
12	5774L1	Tightener Strap - Outer	2	32	5847L1	Main Frame	1
13	5779L1	Pillow Block Bearing Comp.	4		58171_1	Cover R.H.	1
	5780L1				581811	Cover L.H.	1
	578111	Replmt. Bearing Only (must be		33	578911	Capscrew	6
		Replmt. Case Only (part no.	x	34	579011	Bearing Shim	4
		(marks on both block &		35	5775L1	Ratcheting Jack Complete	4
		(replacement bearing)			577811	Ratcheting Jack Less	
					5777L1, 5791L1, 579211		1
14	5782L1	Capscrew		36	5776L1	R.H. Threaded Screw & Yoke	1
15	4575L91	Bearing Shield Inner	2		5777L1	L.H. Threaded Screw & Yoke	1
16	4574L91	Bearing Shield Outer	2	37	5792L1	Yoke Pin	2
17	5783L1	Hinge Rod	2	38	5793L1	Hair Pin Clip	4
18	4402L91	Reg. Flap	34	39	581211	Axle Ass'y R. & L. Hand	2
19	X-859	Keystock	2	40	5813L1	Single Wheel Spindle	2
20	5023L1	Hub - use w/9.4 & 7.4 sheave	2	41	582511	Tandem Wheel Spindle	x
21	5022L1	7.4 sheave - use w/540 RPM	2	42	584311	Set Screw	2
	5021L1	9.4 sheave - use w/1000 RPM	2	43	5844L1	Jam Nut	2
22	4494L1	Belt 540 RPM - use w/7.4 &		44	5845L1	Lock Type Wing Nut	4
		18.4 sheaves	2	45	5846L1	Wing Nut	
	5015L1	Belt 1000 RPM - use w/9.4 &					
		12.4 sheaves	2				
23	1-859	Keystock 2					
24	5785L1	Belt Shield R.H.	1				
	5786L1	Belt Shield L.H.	1				
25	4443L91	Skid Shield R.H.	1				
	4438191	Skid Shield L.H.	1				

## FLAIL CYLINDER ASSEMBLY

<u>Ref. No.</u>	<u>Part No.</u>	<u>Name and Description</u>	<u>No.</u>
1	5794L1	Cylinder Only R.H.	1
	5819L1	Cylinder Only L.H.	1
2	OC-663	Flange Bearing Assy	4
	OC-664	Flange Block Only	x
	OC-665	Replacement: Rearing Only	x
5	OC-620	Hammer Shank	80
	584111	Hammer Shank - for use in/ Offset knives (4 req.)	opt.
6	2197L1	Hammer Knife	80
	2197L1HF	Hammer Knife Hard Faced	opt.
7		Offset Hammer Knife Left - Hard Faced (2 req.)	opt.
	4651L91HF	Offset Hammer Knife Right - Hard Faced (2 req.)	opt.
8		Hammer Pushing	opt.
	4650L91HF	Hammer Pushing	80
		Cap screw	80
10	OC-621	Carriage Bolt	160
16	X-232	Plain Bolt	80
19	X-3	Lock washer	80
20	X-408	Hex Nut	80
21	X-704	Lock washer	240
22	X-510	Hex Nut	240
23	X-702	Knife Bolt Kit - Incl.	
		1-3	160
		X-408	80
		X-702	240
		X-503	240
	5796L1	Cross Bolt Kit - Incl.	
		X-232	80
		X-704	80
		X-510	80
	5797L1	Bushing Kit - Incl.	
		OC-621	80

# FLAIL CYLINDER ASSEMBLY

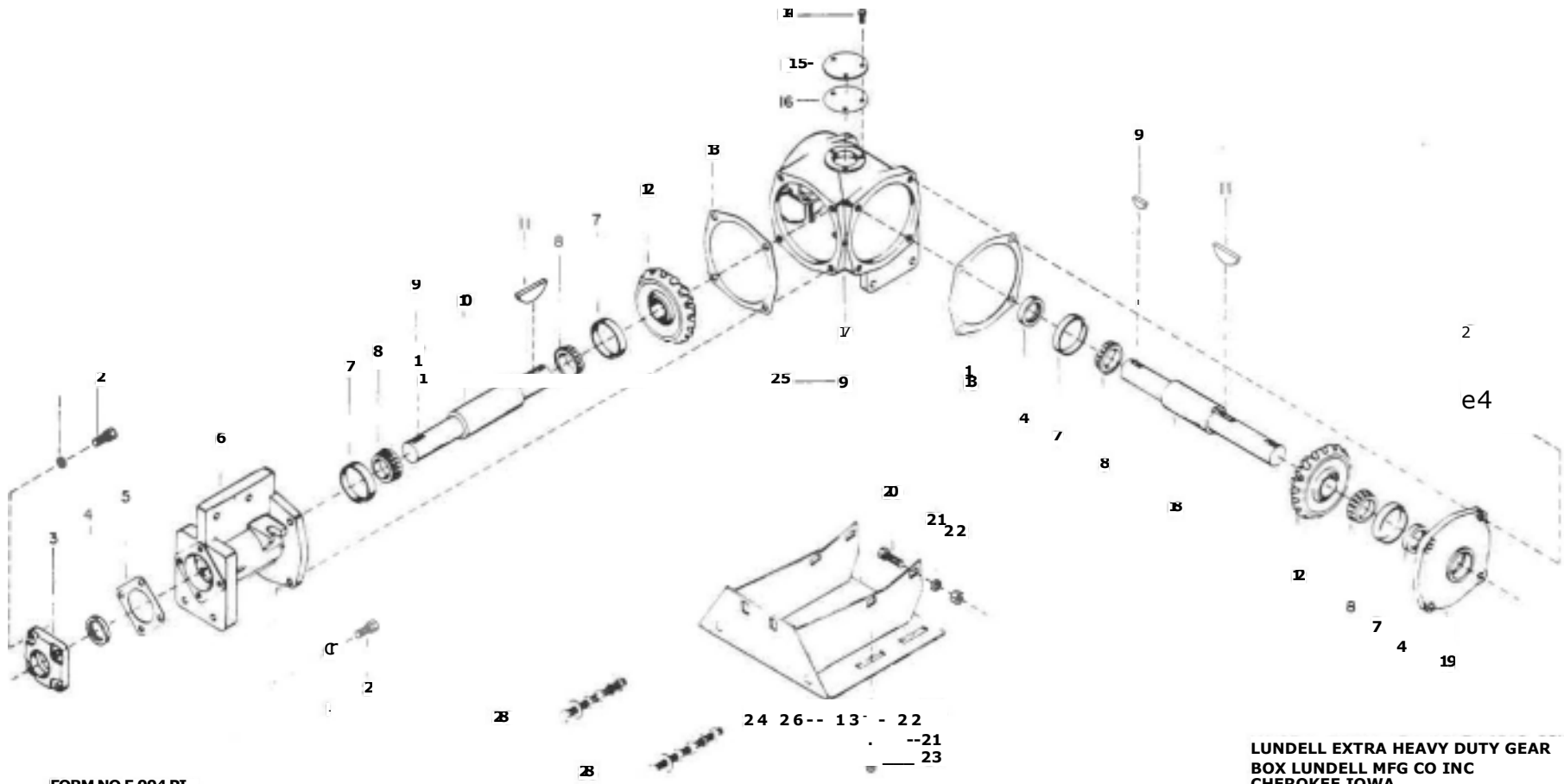


## GEARBOX

Ref.No.	Part No.	Name and Description	No. Req.
	1	X-702 Lockwasher - 3/8	12
	2	X-214 Capscrew, H.H. 3/8 x 1*	12
	3	S-201 Take Down Retaining Casting	1
	4	S7K Grease Seal	3
	5	S-202 Gasket	J.
	**6	S-207 Minor Casting CK05	1
	7	S-333 Bearing Cup	4
	8	S-361 Bearing Cone	4
	9	X-828 Woodruff Key	2
	**10	S-206K3 Front Shaft	1
	11	X-831 Woodruff Key	2
	**12	S-210K1 Gear	2
	13	S-209 Gasket	2
	14	X-203 Capscrew, H.H. F. x	3
	15	S-20 Lube. Cover	1
	16	S-21 Lube. Cover Casket	1
	17	S-211 Major Casting CK03	1.
	**18	S-216K1 Cross Shaft	1
	19	S-213 Take Down Casting (CK02)	1
	20	X-223 Capscrew, H.H. - <sup>1</sup> x 1	4
	21	X-703 Lockwasher - in	10
	22	X-507 Hex Nut -	10
	23	X-14 Carriage Bolt i x 1 3/4	6
	24	S-215 Gear Box Mount	1
	25	X-955 Pipe Plug	1
	26	X-779 Flat Washer -	4
	**xx	2460L91 Gear Box Complete Less Mount	1
	28	500411 Push Pull Bolts - Gear Box	2

\*\* - Not Available

# GEARBOX ASSEMBLY



FORM NO 5 004 PI

LUNDELL EXTRA HEAVY DUTY GEAR  
 BOX LUNDELL MFG CO INC  
 CHEROKEE IOWA

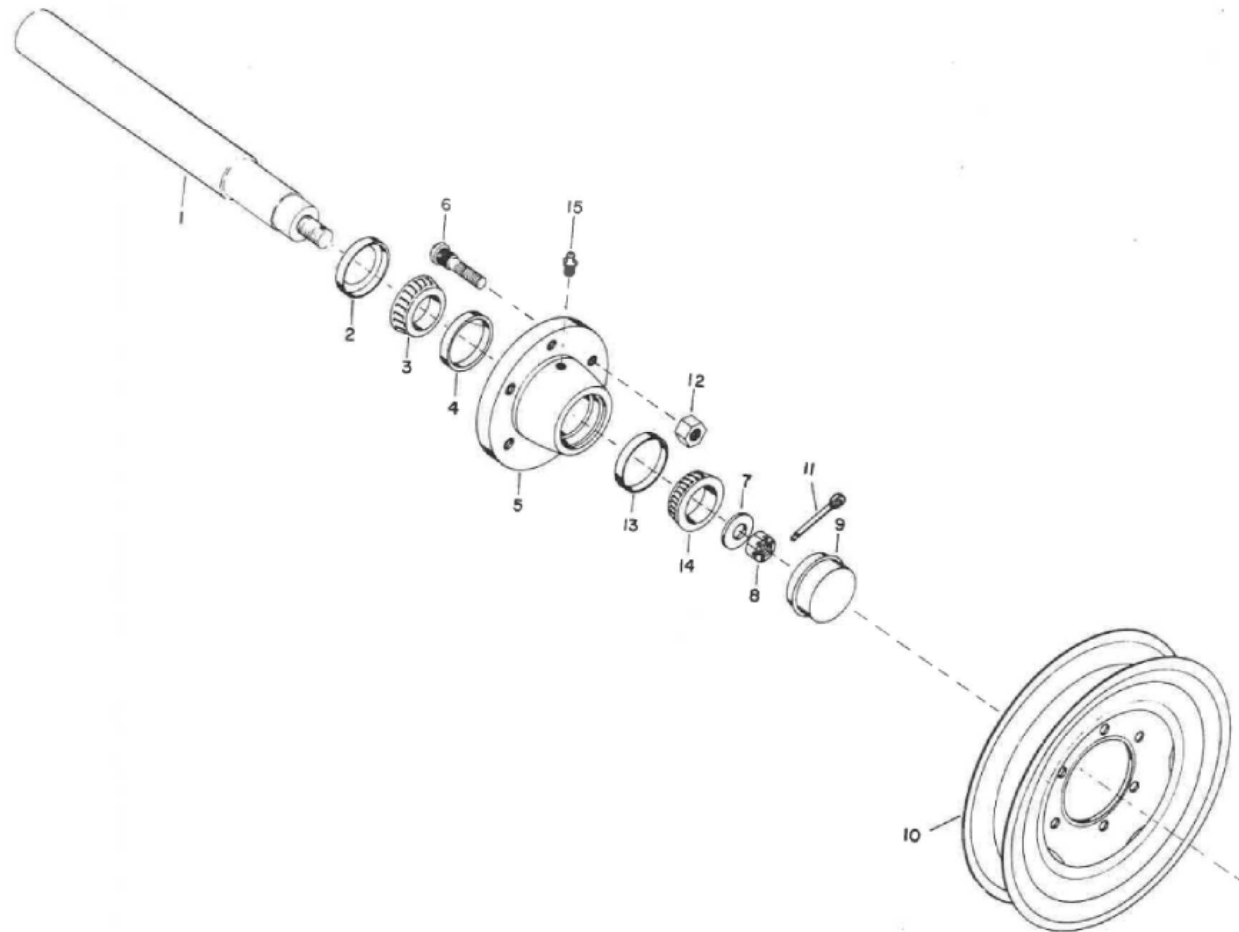
## 6 BOLT HUB ASSEMBLY

Ref.No.	Part No.	Description	No. Req.	
			8 Ton	10 Ton
1		Spindle		
2	3044L1	Crease Seal	4	4
3	304311	Inner Bearing Cone	4	4
4	3041L1	Inner Bearing Cup	4	4
5	5770L1	Hub Assy - Inc. #'s 4,6 12, & 13	X	X
6	5771L1	Hub Bolt	24	24
7	3465L1	Washer	4	4
8	X-534	Spindle Nut	4	4
9	3999L1	Hub Cap	4	4
10	3039L1	Wheel Rim - 14x6 - 6 Bolt	X	X
	303811	Wheel Rim - 15x6 - 6 Bolt	X	X
	576711	Wheel Rim - 15x8 - 6 Bolt	x	x
11	X-807	Cotter Pin	4	4
12	X-509	Hub Nut	24	24
13	3996L1	Outer Bearing Cup	4	4
14	3995L1	Outer Bearing Cone	4	4
15	5735L1	Grease Fitting	4	4
	5769L1	Hub Assy Comp. - Inc.		

2, 3, 5, & 14 & 15 X



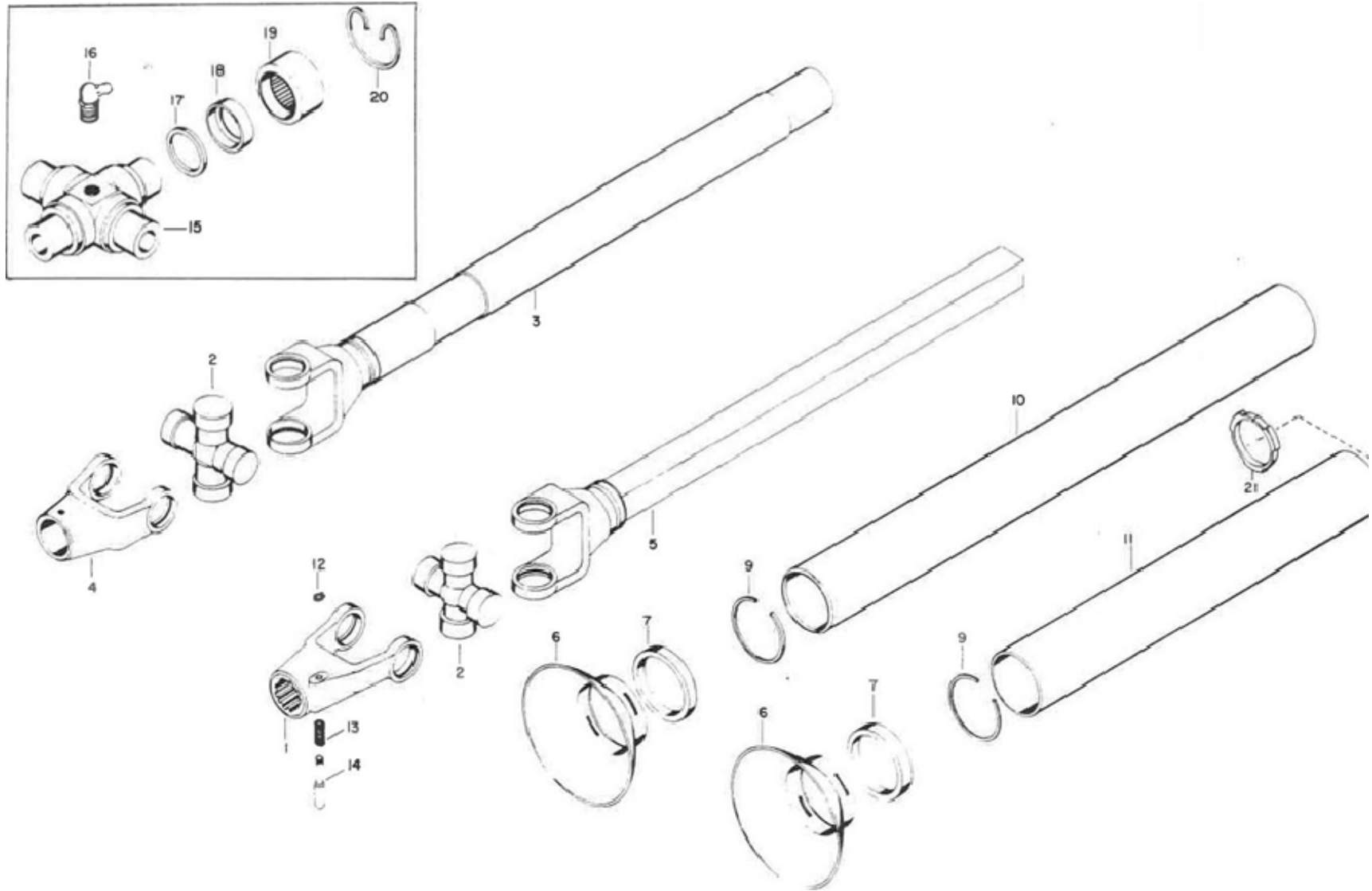
## 6 BOLT HUB ASSEMBLY



## Heavy Duty P.T.O.

Ref.No.	Part No.	Name and Description	No. Req.
*	4981L1	P.T.O. Complete 540	1
*	4982L1	P.T.O. Tractor Half 540	1
*	4982L1	P.T.O. Machine Half	1
1	4984L1	Splined Yoke 540 (Incl. Nos. 12,13, & 14)	1
2 g,	4985L1	Journal Replacement Kit (Incl. Nos. 15 thru 20)	2
3	4986L1	Yoke & Tube Assy	1
4	4987L1	Yoke - 14 Bore	1
5	4988L1	Yoke & Sq. Shaft Assy	1
7	4990L1	Nylon Bearing	2
9	4992L1	Retaining Ring	2
10	4993L1	Shield Tube - Outer & Ball (Incl. No. 6)	1
11	4994L1	Shield Tube - Inner & Ball (Incl. No. 6)	1
12	4995L1	Spring Cotter Pin	1
13	4996L1	Lock Pin Spring	1
14	4997L1	Lock Pin	1
15	4998L1	Center Cross Only	2
16	4999L1	jerk	2
17	5000L1	Seal	8
18	5001L1	Retainer	8
19	5002L1	Needle Cup Assy	8
20	5003L1	Snap Ring	8
21	5005L1	Nylon Centralizer Ping	1
1000 RPM			
1.	5006L1	21 Spline Yoke 1000 (Incl. Nos. 12,13, & 14)	1
	5848L1	P.T.O. Tractor Half 1000	1
	5849L1	P.T.O. Complete 1000	1
	5850L1	RPM Change Over Kit - From 540 to 1000 (Incl. sheaves, hubs, belts & splined yoke)	
	5851L1	RPM Change Over Kit - From 1000 to 540 (Incl. sheaves, hubs, belts & splined yoke)	

# HEAVY DUTY PTO ASSEMBLY



## Jet Star Spout Assembly

Ref.No.	Part No.	Name and Description	No. Req.
1	5798L1	Bottom Front Panel	1
2	5799L1	Top Front El Rear Panel	2
3	4935L1	Hood Assembly	1
4	4917L1	Hinge Pin	1
5	4934L91	Flap Assembly	1
6	5800L1	Side Panel L.H.	1
*	5801L1	Side Panel R.H.	1
7	5802L1	Bottom Rear Panel	1
8	5803L1	Door Gusset - R.H.	1
9	5804L1	Door Gusset - L.H.	1
10	5805L1	Door Assembly	1
11	5806L1	Angle	1
12	0C-91	Lower Rope Holder	1
13	4485L1	Upper Rope Holder	1
14	0C-42	hope Holder Extension	1
15	0C-626	Wagon Hitch - Bottom	1
16	4929L1	Wagon Hitch - Top	1
17	0C-643	Pope Handle	1
18	A-105	Rope Clip	2
19	0C-518	Pulley	1
*	3538L1	Rope 1/4 x 15'6"	1
20	4979L91	Lower Rope Holder Less Shield (N) (I)	1
21	5807L1	Reinforcing Strap	1
22	4972L1	Reinforcing Strap	2
23	5808L1	Reinforcing Strap	2

